

■PG105 Series

Features 特点

- Susing flat wire, and SMD type. 采用扁平线，贴片类型
- Low radiation noise by magnetically shielded construction
闭合磁路封装，低辐射
- High current, Low resistance. 大电流，低电阻
- Operating temperature : -40°C~+125°C. 工作温度: -40°C~+125°C
- Tape and reel packaging: -40°C to +80°C 卷带包装: -40°C 至 +80°C
- Resistance to soldering heat Max three 40 second reflows at +260°C,
parts cooled to room temperature between cycles
耐焊接热最多三个 40 秒回流 +260°C, 部件在循环之间冷却至室温
- Moisture Sensitivity Level (MSL) 1 (unlimited floor life at <30°C /
85% relative humidity)
湿气敏感度等级 (MSL) 1 (在 <30°C 时的无限车间寿命/ 85% 相对湿度)

Applications 应用

- high efficiency DC/DC converters. 高效 DC/DC 转换器
- Single and polyphase buck converters. 单相、多相降压转换器
- Filter for audio applications. 音频滤波应用
- Optimized for high current boost applications. 大电流升压应用优化



Electrical characteristics 电气特性

Part number	① Inductance μH ± 20%	② DC resistance mΩ		③ SRF typical MHz	④ Isat A typical			⑤ Irms A typical	
		typ	max.		10% drop	20% drop	30% drop	20°C rise	40°C rise
PG105-161ML	0.16	0.51	0.56	400	24	44	58	16	23
PG105-401ML	0.4	0.67	0.74	160	18	32	37	15	21
PG105-721ML	0.72	1.30	1.43	115	17	27.5	35	13.5	18.5
PG105-122ML	1.2	1.8	1.98	75	16	24	31	13	18.2
PG105-182ML	1.8	3.5	3.83	70	13	19	25	11	15.2
PG105-242ML	2.4	4.75	5.23	67	12	17.6	22.8	8	12.2
PG105-332ML	3.3	5.9	6.5	54	9.2	14.5	19.5	7.8	11.4
PG105-422ML	4.2	7.1	7.8	33	9	13	17	7.6	10.6
PG105-552ML	5.5	10.3	11.33	30	7	10	14	7	9.3
PG105-652ML	6.5	12.5	13.75	27	6.2	9.8	12	5.5	7.3
PG105-782ML	7.8	13.6	15	23	5.5	8.6	11	5.1	7.1
PG105-103ML	10	16.3	18	21	5	7.8	10.5	4.8	6.5
PG105-163ML	16	34.5	38	18	4	6.2	8.5	3.3	4.4

Remark

- ① Inductance is measured with a LCR meter Agilent 4284A or equivalent.
Test frequency at 100kHz
- ② DC resistance is measured with Keithley 580 Milliohm Meter, or equivalent.
Reference ambient temperature 25°C
- ③ SRF measured using an Agilent 4395A network analyzer and an Agilent 16193A test fixture.
- ④ DC current at 25°C that causes the specified Inductance drop from its value without current.
- ⑤ Current that causes the specified temperature rise from 25°C ambient. This information is for reference only and does not represent absolute maximum ratings.
- ⑥ Electrical specifications at 25°C

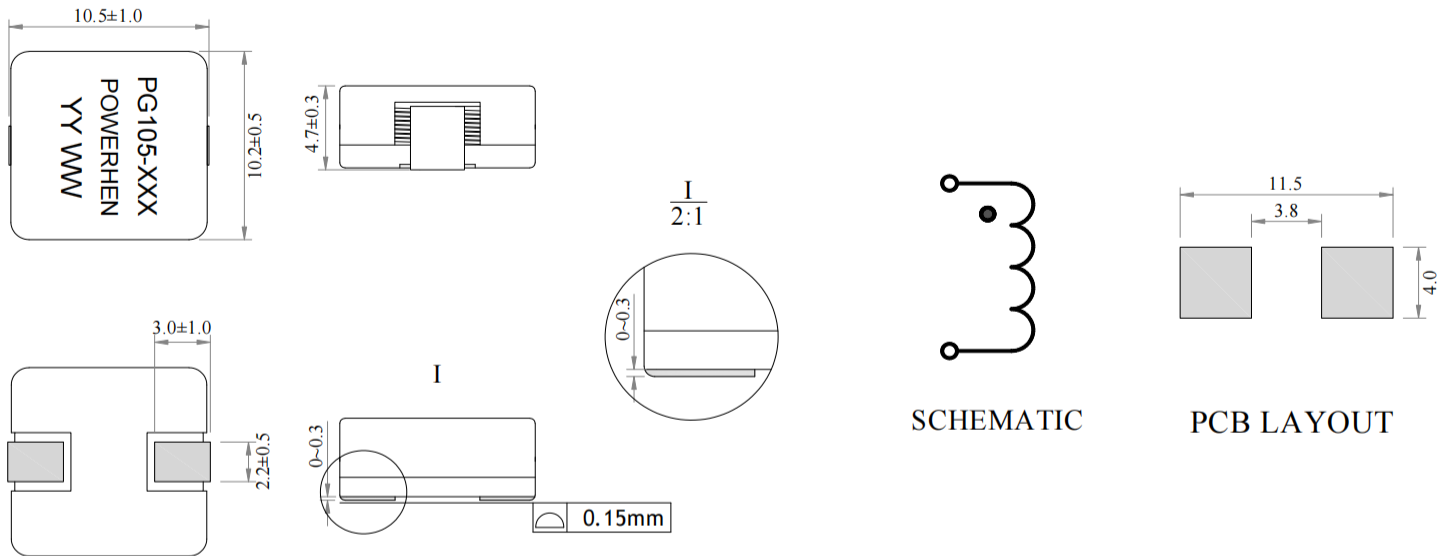
备注

- ① 电感量测试采用 Agilent 4284A 数字电桥或同等仪器；
测试频率 100KHz
- ② 直流电阻测试采用 Keithley 580 毫欧表或同等仪器；
环境温度 25°C
- ③ SRF 使用 Agilent 4395A 网络分析仪和 Agilent 16193A 测试夹具测量。
- ④ 直流电流在 25°C，加载导致指定电感从没有电流的值下降。
- ⑤ 导致指定温度从 25°C 环境温度上升的电流。此信息仅供参考，不代表绝对最大额定值。
- ⑥ 25°C 时的电气规格

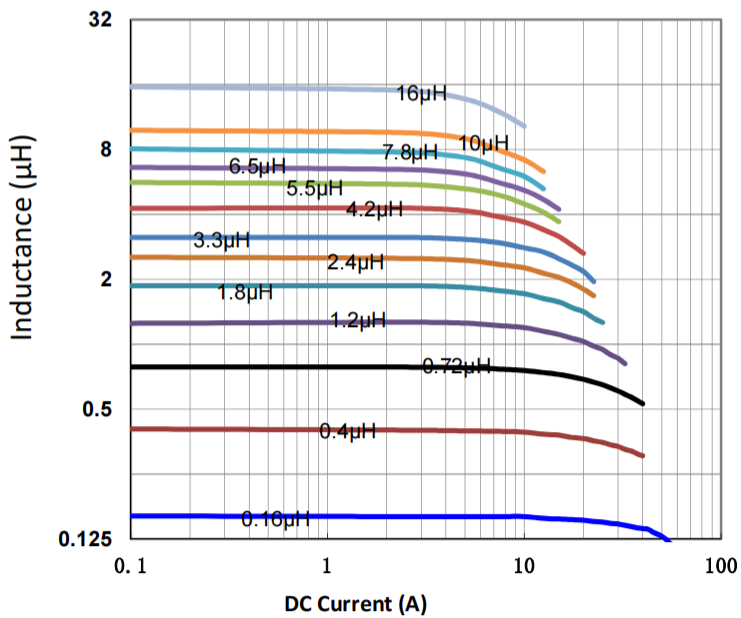
Shenzhen Powerhen Electronic Co., Ltd

Addr: Floor 3, Building 2, Shenliang Automotive Electronic Industrial Park, Guanlan Town, Shenzhen
Tel: 0755-23570708
E-Mail: sales@powerhen.com

■ Dimensions 结构尺寸

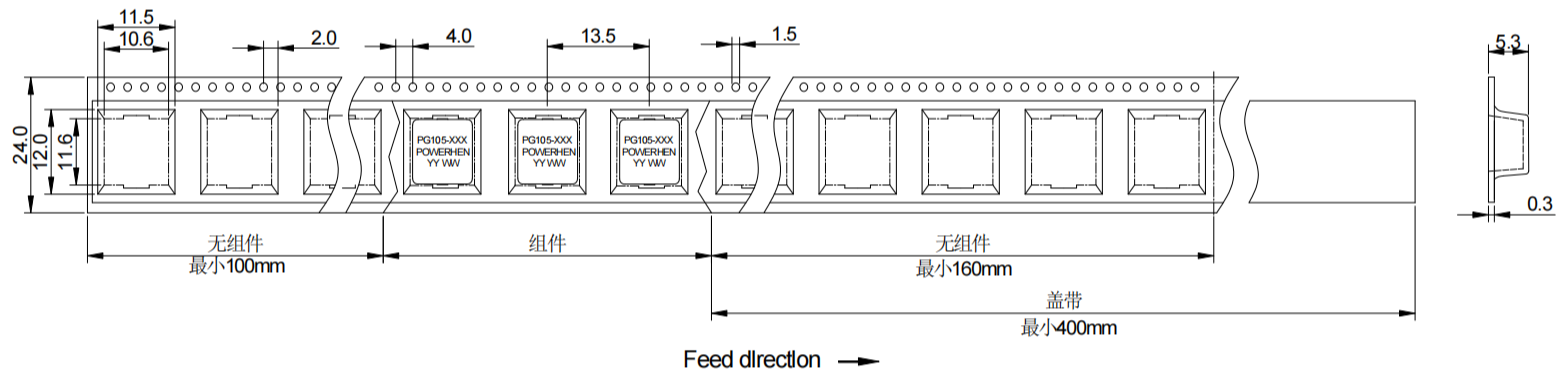
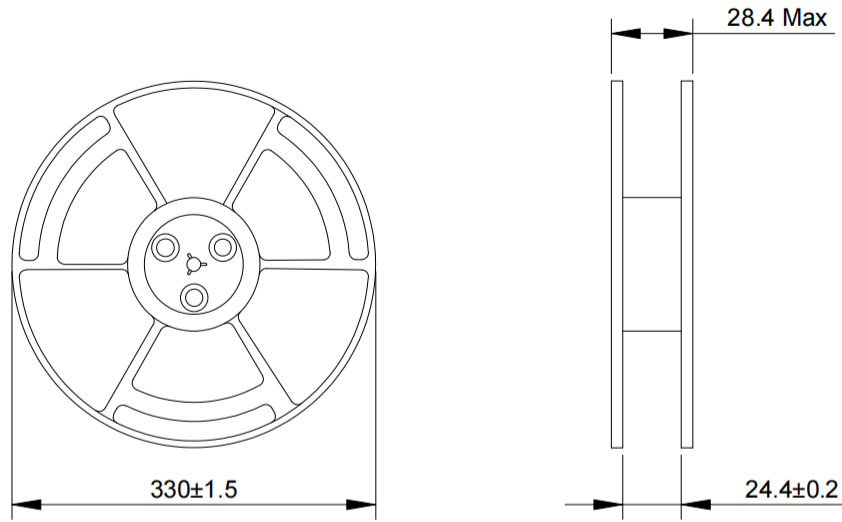


Electrical Characteristic Curve 电气特性曲线



■ Packaging Specification - Tape and Reel: [mm]

包装规格 - 卷带包装: [mm]



Weight 重量: 2.51~2.8g/PCS

Packaging 包装数量: 700 PCS/Reel