

## ■PG74 Series

### Features 特点

- Susing flat wire, and SMD type. 采用扁平线，贴片类型
- Low radiation noise by magnetically shielded construction  
闭合磁路封装，低辐射
- High current, Low resistance. 大电流，低电阻
- Operating temperature : -40°C~+125°C. 工作温度：-40°C~+125°C
- Tape and reel packaging: -40°C to +80°C 卷带包装：-40°C 至 +80°C
- Resistance to soldering heat Max three 40 second reflows at +260°C,  
parts cooled to room temperature between cycles  
耐焊接热最多三个 40 秒回流 +260°C，部件在循环之间冷却至室温
- Moisture Sensitivity Level (MSL) 1 (unlimited floor life at <30°C /  
85% relative humidity)  
湿气敏感度等级 (MSL) 1 (在 <30°C 时的无限车间寿命/ 85% 相对湿度)



### Applications 应用

- high efficiency DC/DC converters. 高效 DC/DC 转换器
- Single and polyphase buck converters. 单相、多相降压转换器
- Filter for audio applications. 音频滤波应用
- Optimized for high current boost applications. 大电流升压应用优化

### Electrical characteristics 电气特性

Part number	① Inductance μH ±20%	② DC resistance mΩ		③ SRF typical MHz	④ Isat A typical			⑤ Irms A typical	
		typ	max.		10% drop	20% drop	30% drop	20°C rise	40°C rise
PG74-221ML	0.22	1.1	1.2	290	23	40	45	14.5	19.0
PG74-401ML	0.40	1.85	2.04	250	20	35	42	13.1	17.5
PG74-681ML	0.68	3.1	3.41	105	19	29	40	11.5	16.2
PG74-102ML	1.0	4.6	5.06	85	17	20	34	11.0	14.8
PG74-152ML	1.5	6.6	7.26	72	11	19	26	7.5	10.3
PG74-202ML	2.0	11.4	12.5	52	10	16	24	6.0	8.2
PG74-332ML	3.3	17.2	18.9	43	8	13	19	4.5	6.0
PG74-472ML	4.7	19.5	21.45	33	6.8	10	14	4.2	5.7

### Remark

- ① Inductance is measured with a LCR meter Agilent 4284A or equivalent.  
Test frequency at 100kHz
- ② DC resistance is measured with Keithley 580 Milliohm Meter, or equivalent.  
Reference ambient temperature 25°C
- ③ SRF measured using an Agilent 4395A network analyzer and an Agilent 16193A test fixture.
- ④ DC current at 25°C that causes the specified Inductance drop from its value without current.
- ⑤ Current that causes the specified temperature rise from 25°C ambient. This information is for reference only and does not represent absolute maximum ratings.
- ⑥ Electrical specifications at 25°C

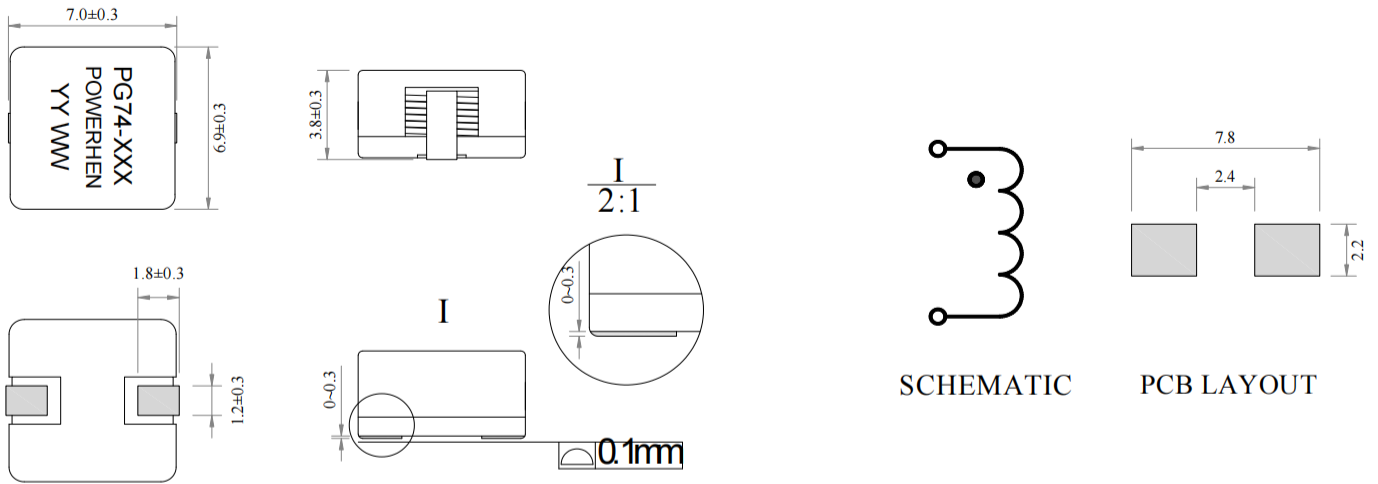
### 备注

- ① 电感量测试采用 Agilent 4284A 数字电桥或同等仪器；  
测试频率 100KHz
- ② 直流电阻测试采用 Keithley 580 毫欧表或同等仪器；  
环境温度 25°C
- ③ SRF 使用 Agilent 4395A 网络分析仪和 Agilent 16193A 测试夹具测量。
- ④ 直流电流在 25°C，加载导致指定电感从没有电流的值下降。
- ⑤ 导致指定温度从 25°C 环境温度上升的电流。此信息仅供参考，不代表绝对最大额定值。
- ⑥ 25°C 时的电气规格

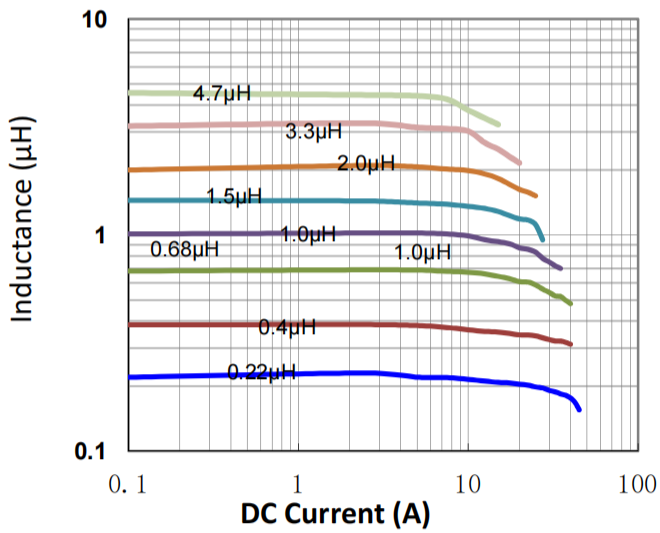
### ShenZhen Powerhen Electronic Co.,Ltd

Addr: Floor 3, Building 2, Shenliang Automotive Electronic Industrial Park, Guanlan Town, Shenzhen  
Tel: 0755-23570708  
E-Mail: sales@powerhen.com

Dimensions 结构尺寸

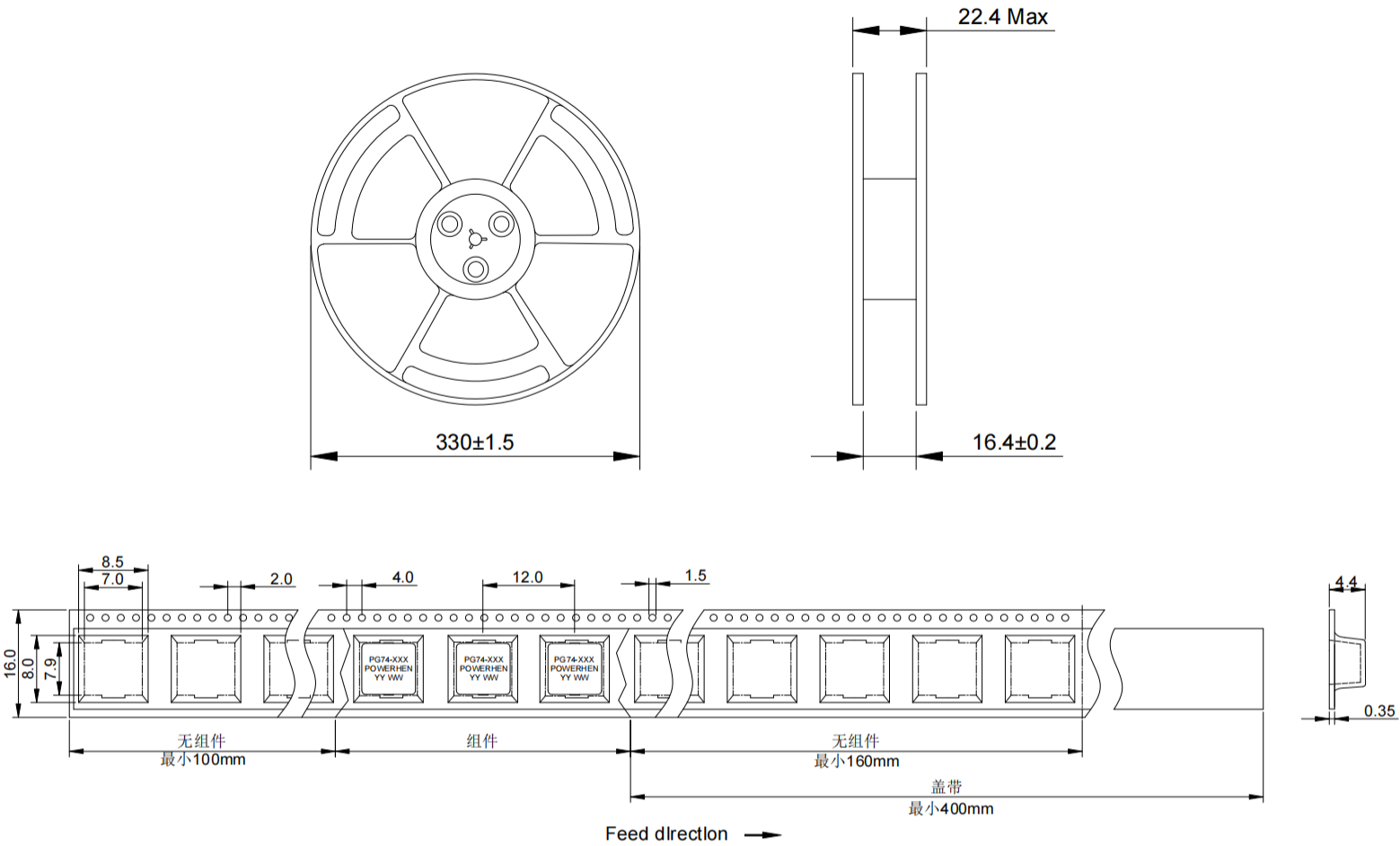


Electrical Characteristic Curve 电气特性曲线



■ Packaging Specification - Tape and Reel: [mm]

包装规格 - 卷带包装: [mm]



Weight 重量: 0.82~0.86g/PCS

Packaging 包装数量: 1000 PCS/Reel