

POWER INDUCTORS FOR DIGITAL AMPLIFIER 数字功放电感

■ PD09

Features 特点

- Space reduction is realized by 2 in 1 construction.
二合一结构缩小空间
- The optimal design realizes high quality sound and low distortion.
高音质、低失真最佳设计
- Compact size using flat wire, and SMD type.
扁平线小尺寸封装，贴片类型
- Low radiation noise by magnetically shielded construction
闭合磁路封装，低辐射
- High current, Low resistance.
大电流，低电阻
- Operating temperature : -40°C~+125°C.
工作温度：-40°C~+125°C



Applications 应用

- Suitable as choke for digital amp. Car audio, LCD and PDP TV, 5.1ch Home theater, etc.
适用于数字功放扼流。如汽车音响，LCD 电视和 PDP 电视，5.1 声道家庭影院等

Electrical characteristics 电气特性

Part number 料号	Inductance ① 电感量 μH±10%	DCR ② 直流电阻 mΩ		Isat ③ 饱和电流 A typ			Irms ④ 温升电流 A max	
		typ	max.	10% drop	20% drop	30% drop	20°Crise	40°Crise
PD09-332KL	3.3	9.6	11.5	9.8	10.5	10.9	3.5	4.8
PD09-472KL	4.7	11.2	15	8	8.6	9.2	3.2	4.5
PD09-822KL	8.2	13.5	20	5.8	6.2	6.5	3.0	4.0
PD09-103KL	10	15.1	22	5	5.8	5.9	2.8	3.9
PD09-123KL	12	16	25	4.8	5.4	5.8	2.5	3.4
PD09-153KL	15	34.6	44	4	5.2	5.4	2.3	2.8
PD09-223KL	22	45.8	52	3.2	3.8	4	2.0	2.5
PD09-333KL	33	45.8	52	2	2.2	2.4	2.0	2.5

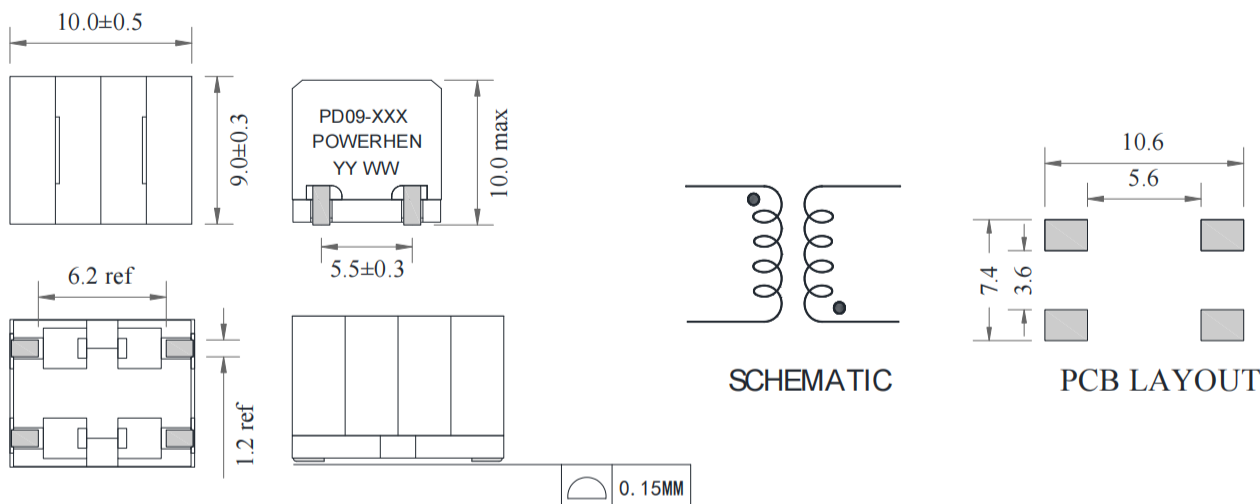
Remark

- ① Inductance is measured with a LCR meter Agilent 4284A or equivalent.
Test frequency at 100kHz
- ② DC resistance is measured with Keithley 580 Milliohm Meter, or equivalent.
Reference ambient temperature 25°C
- ③ DC current at 25°C that causes the specified Inductance drop from its value without current.
- ④ Current that causes the specified temperature rise from 25°C ambient. This information is for reference only and does not represent absolute maximum ratings.
- ⑤ Electrical specifications at 25°C

备注

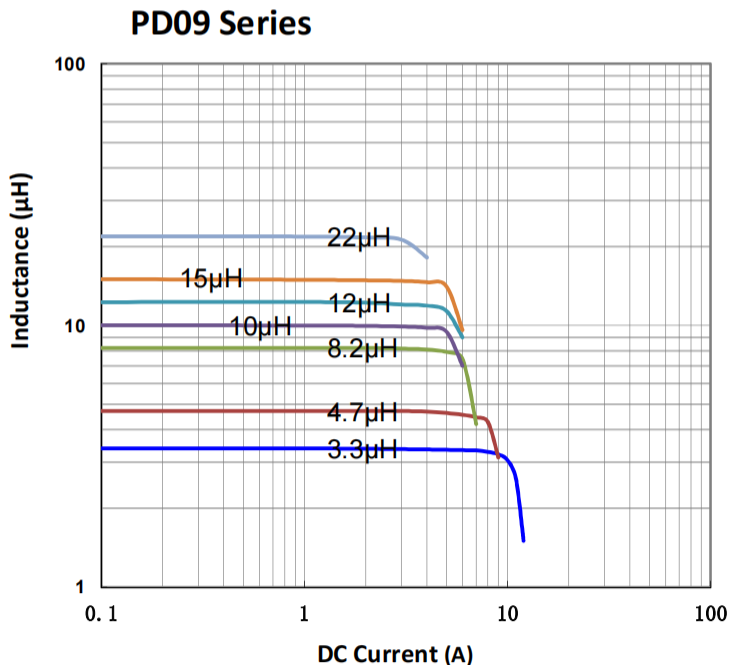
- ① 电感量测试采用 Agilent 4284A 数字电桥或同等仪器；
测试频率 100KHz
- ② 直流电阻测试采用 Keithley 580 毫欧表或同等仪器；
环境温度 25°C
- ③ 直流电流在 25°C，加载导致指定电感从没有电流的值下降。
- ④ 导致指定温度从 25°C 环境温度上升的电流。此信息仅供参考，不代表绝对最大额定值。
- ⑤ 25°C 时的电气规格

Dimensions 结构尺寸



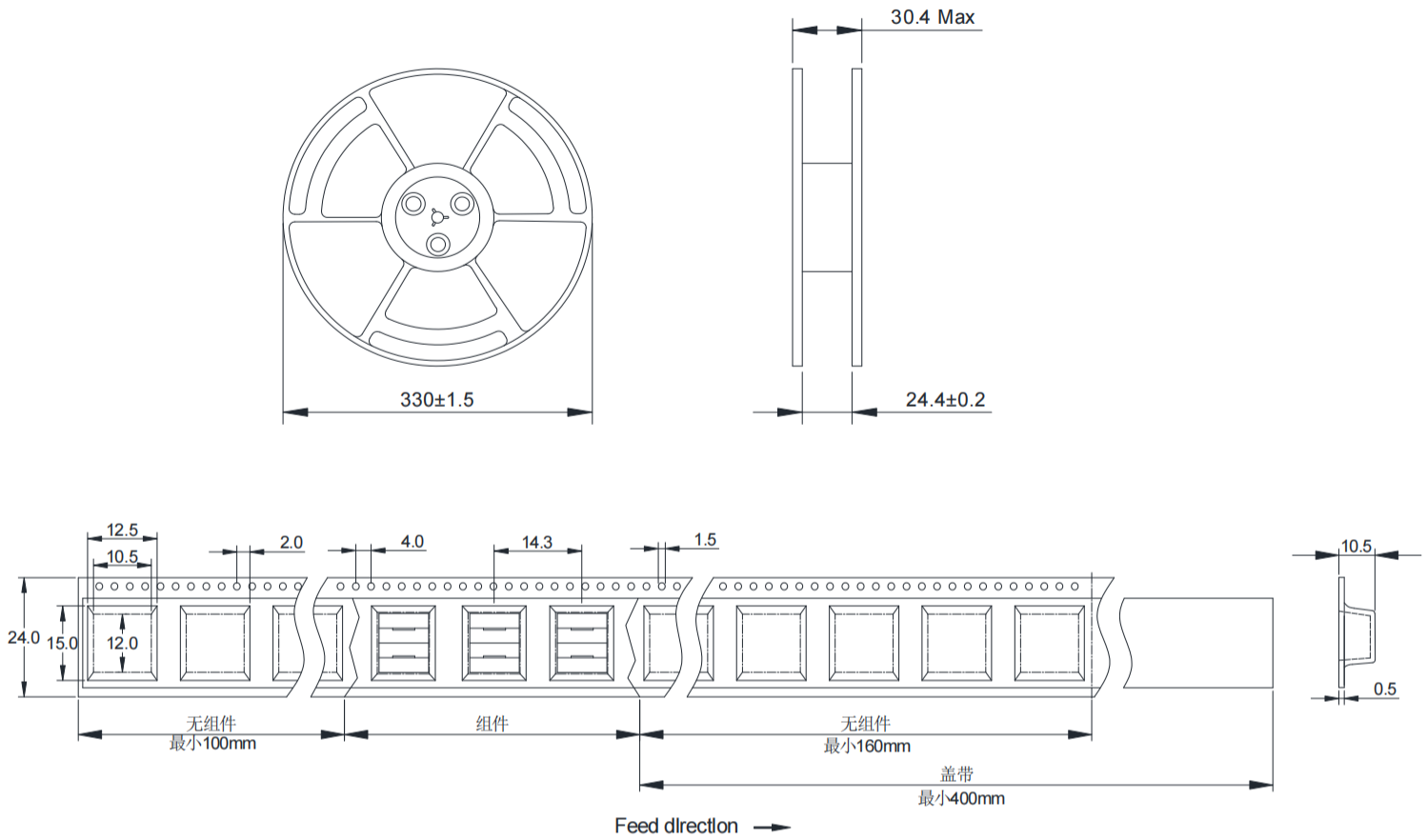
■ PD09

Electrical Characteristic Curve 电气特性曲线



■ Packaging Specification - Tape and Reel: [mm]

包装规格 - 卷带包装: [mm]



Weight 重量: 3.11~3.24g/PCS

Packaging 包装数量: 300 PCS/Reel