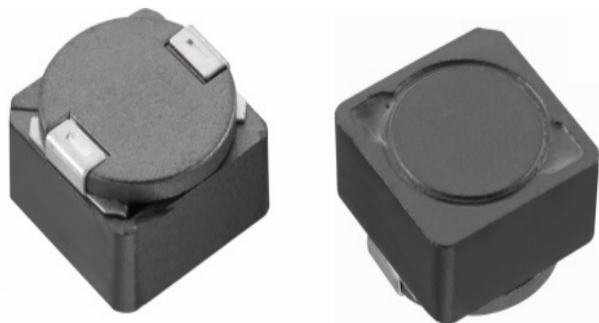


PF1064 SMD Flat WIRE POWER INDUCTOR 贴片扁平线功率电感

Features 特点

- Core material: NiZn.
芯材: 镍锌
- Flat wire power inductor
扁平线功率电感器
- High Self Resonance Frequency
高自谐频率
- Operating temperature : -40°C~+125°C.
工作温度: -40°C~+125°C



Applications 应用

- Suitable for high frequency switching regulators.
适用于高频开关稳压器。

Electrical characteristics 电气特性

Part number 料号	Inductance① 电感量 μH	DCR② 直流电阻 mΩ		SRF③ 自谐频率 MHz	Isat (A)④ 温升电流 Drop 10%	Irms(A) 温升电流⑤ Rise 40°C
		max.	typ.			
PF1064-221NL	0.22 ± 30%	1.95	1.6	337	31	19.0
PF1064-501NL	0.5 ± 30%	2.65	2.2	172	22.7	18.5
PF1064-112NL	1.1 ± 30%	3.5	3.0	104	20.0	16.5
PF1064-182NL	1.8 ± 30%	4.5	3.8	74	15.5	14.5
PF1064-252NL	2.5 ± 30%	4.95	4.4	57	12.5	13.7
PF1064-362NL	3.6 ± 30%	5.95	5.25	46	11.0	12.0
PF1064-472NL	4.7 ± 30%	8.4	7.4	44	9.5	9.5
PF1064-622NL	6.2 ± 30%	9.5	8.4	33	8.3	9.4
PF1064-722ML	7.2 ± 20%	12.8	11.3	31	7.4	7.9
PF1064-912ML	9.1 ± 20%	14.35	12.7	27	6.5	7.35
PF1064-113ML	11 ± 20%	15.8	14.0	25	6.4	6.9
PF1064-133ML	13 ± 20%	22.5	19.9	25	5.4	5.85
PF1064-153ML	15 ± 20%	24.6	21.8	19	5.0	5.45
PF1064-183ML	18 ± 20%	34.4	30.5	18	4.35	5.0
PF1064-223ML	22 ± 20%	37.3	33.0	17	4.2	4.7
PF1064-243ML	24 ± 20%	39.5	35.0	16	3.9	4.5
PF1064-273ML	27 ± 20%	42.5	37.6	15	3.75	4.3

Remark

- ① Inductance is measured with a LCR meter Agilent 4284A or equivalent.
Test frequency at 100kHz
- ② DC resistance is measured with Keithley 580 Milliohm Meter, or equivalent.
Reference ambient temperature 25°C
- ③ SRF measured using an Agilent 4395A network analyzer and an Agilent 16193A test fixture.
- ④ DC current at 25°C that causes the specified inductance drop from its value without current.
- ⑤ Current that causes the specified temperature rise from 25°C ambient. This information is for reference only and does not represent absolute maximum ratings.
- ⑥ Electrical specifications at 25°C

备注

- ① 电感量测试采用 Agilent 4284A 数字电桥或同等仪器；
测试频率 100kHz
- ② 直流电阻测试采用 Keithley 580 毫欧表或同等仪器；
环境温度 25°C
- ③ SRF 使用 Agilent 4395A 网络分析仪和 Agilent 16193A 测试夹具测量。
- ④ 直流电流在 25°C，加载导致指定电感从没有电流的值下降。
- ⑤ 导致指定温度从 25°C 环境温度上升的电流。此信息仅供参考，不代表绝对最大额定值。
- ⑥ 25°C 时的电气规格

ShenZhen Powerhen Electronics Co.,Ltd

Addr: Floor 3, Building 2, Shenliang Automotive Electronic Industrial Park, Guanlan Town, Shenzhen

Tel: 0755-23570708

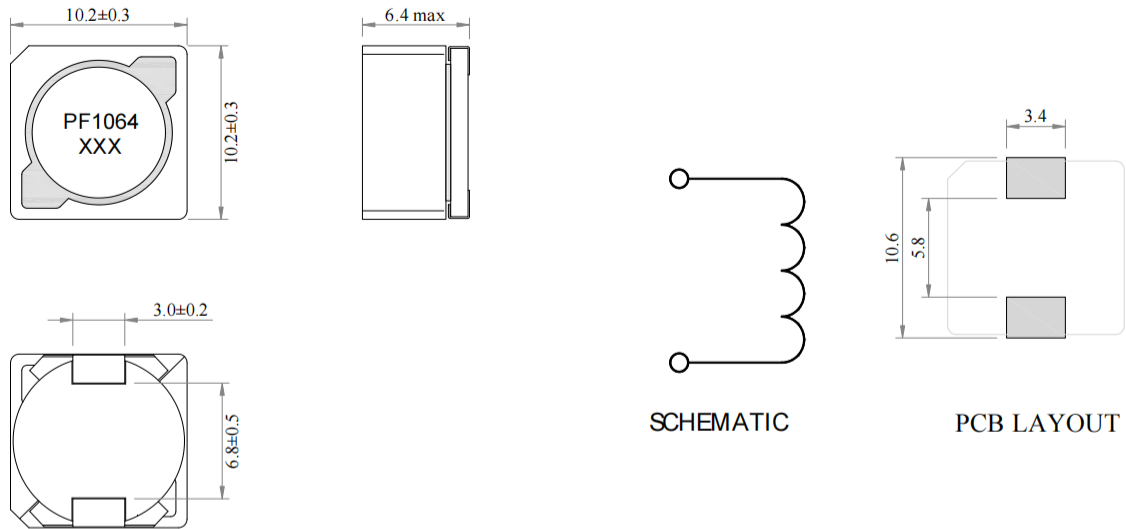
E-Mail: sales@powerhen.com

*The specifications of the data measured in the laboratory, differ conditions of use, please refer to the actual.

*The specifications are subject to change, without prior notice.

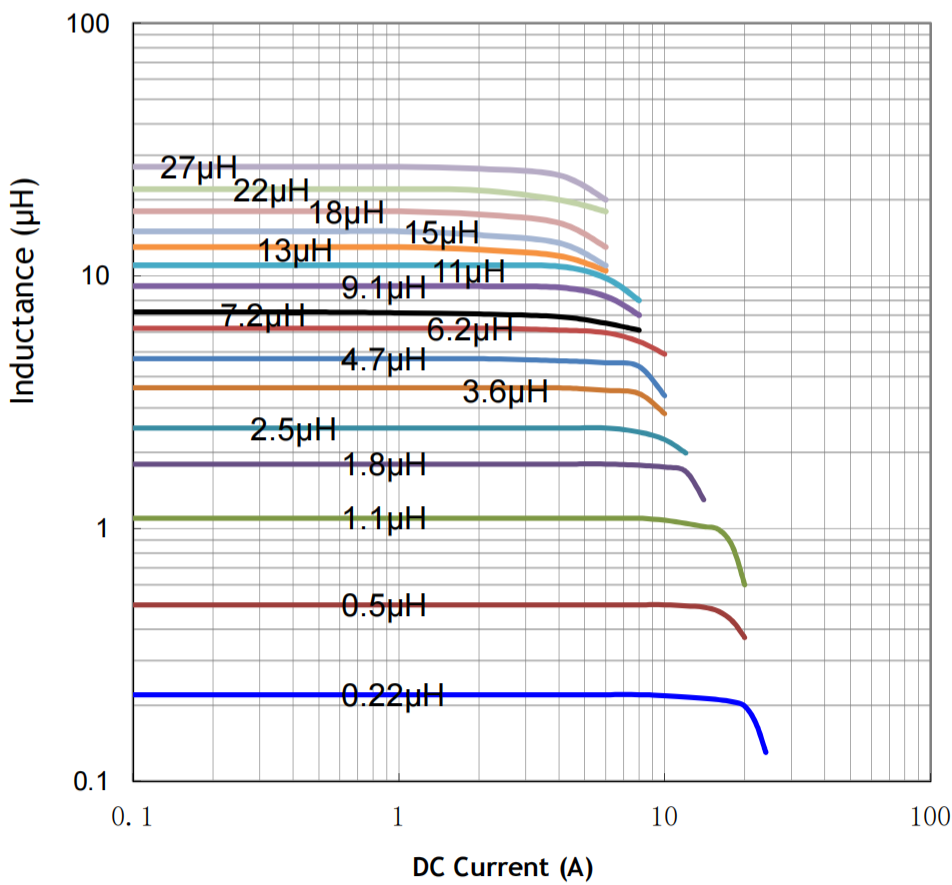
*Without approval, this product can not be used for medical militar or other high-risk areas

Dimensions 结构尺寸



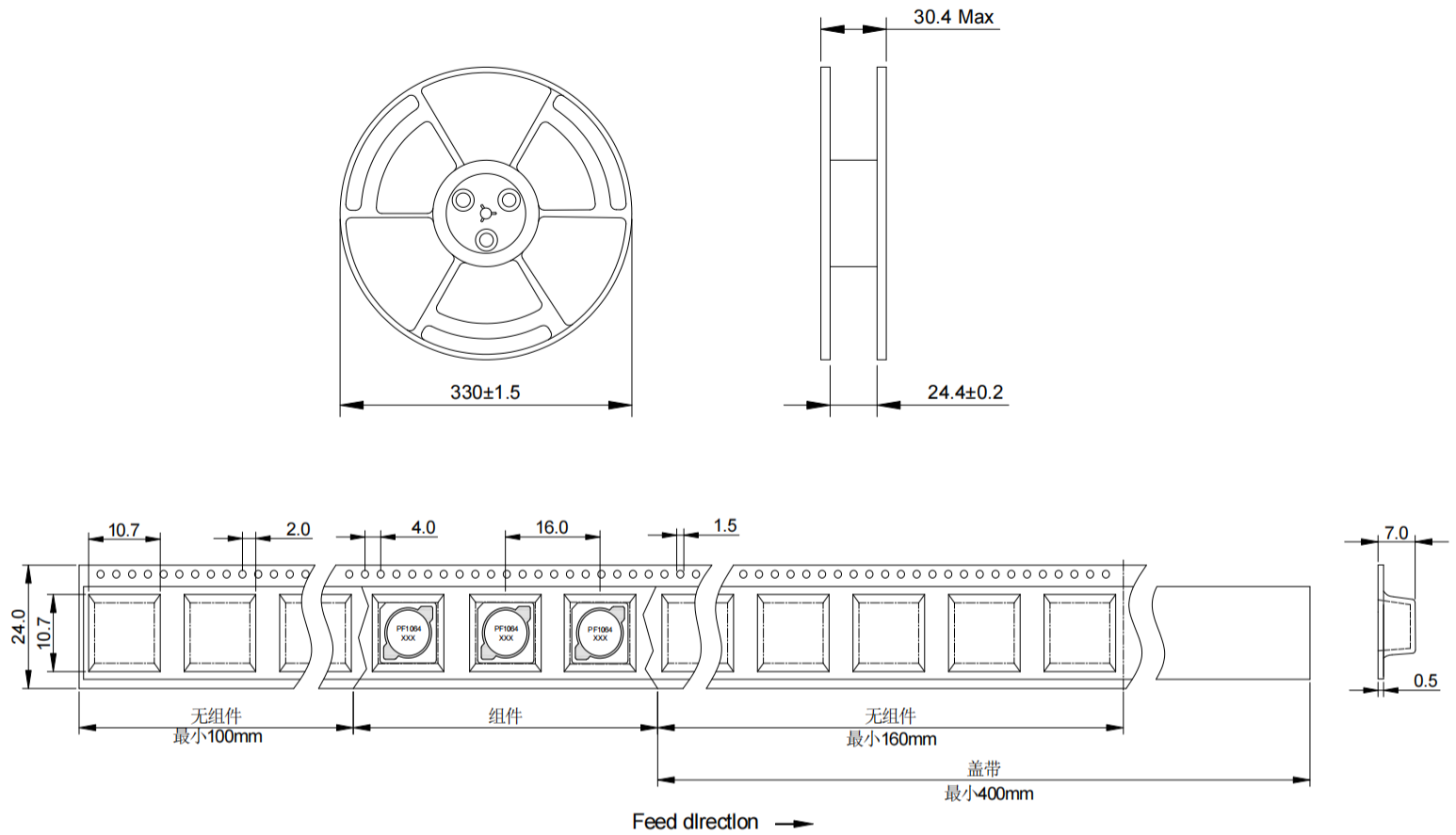
Electrical Characteristic Curve 电气特性曲线

PF1064 Series



■ Packaging Specification - Tape and Reel: [mm]

包装规格 - 卷带包装: [mm]



Weight 重量: 2.75g/PCS

Packaging 包装数量: 500 PCS/Reel