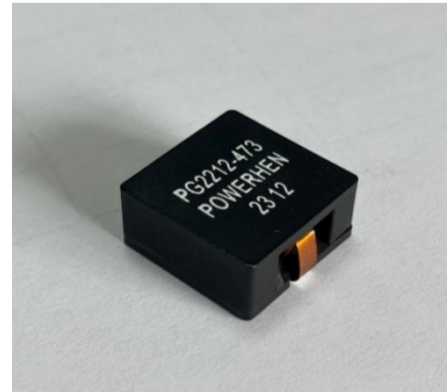


■PG2212 Series

Features 特点

- Susing flat wire, and SMD type. 采用扁平线，贴片类型
- Low radiation noise by magnetically shielded construction
闭合磁路封装，低辐射
- High current, Low resistance. 大电流，低电阻
- Operating temperature : -40°C~+125°C. 工作温度: -40°C~+125°C
- Tape and reel packaging: -40°C to +80°C 卷带包装: -40°C +80°C
- Resistance to soldering heat Max three 40 second reflows at +260°C,
parts cooled to room temperature between cycles
耐焊接热最多三个 40 秒回流 +260°C, 部件在循环之间冷却至室温
- Moisture Sensitivity Level (MSL) 1 (unlimited floor life at <30°C /
85% relative humidity)

湿气敏感度等级 (MSL) 1 (在 <30°C 时的无限车间寿命/ 85% 相对湿度)



Applications 应用

- high efficiency DC/DC converters. 高效 DC/DC 转换器
- Single and polyphase buck converters. 单相、多相降压转换器
- Optimized for high current boost applications. 大电流升压应用优化

Electrical characteristics 电气特性

Part number	①Inductance μH±20%	②DC resistance mΩ		③SRF typical MHz	④Isat A typical			⑤Irms A typical	
		typ	max.		10% drop	20% drop	30% drop	20°Crise	40°Crise
PG2212-332ML	3.3	1.7	1.9	230	18.5	20.8	35	25	33.2
PG2212-682ML	6.8	2.1	2.35	100	8	13	31	24	30.5
PG2212-822ML	8.2	2.7	3.1	72	7.5	25.8	30	21	26.2
PG2212-103ML	10	3.4	3.8	59	5	7	27	17	23
PG2212-123ML	12	4.3	4.8	45	7	12	28.5	14	20
PG2212-223ML	22	7.0	7.7	35	8.5	18.9	19.2	12	15.6
PG2212-333ML	33	13.2	14.6	26	6.25	15.6	16	8.5	11
PG2212-473ML	47	19.2	21.2	30	10.25	11.3	13.2	8.4	9
PG2212-683ML	68	27.3	30	22	8.5	9.2	9.5	6.2	7.5
PG2212-823ML	82	30.4	33.5	28	8	8.5	8.75	6.1	7

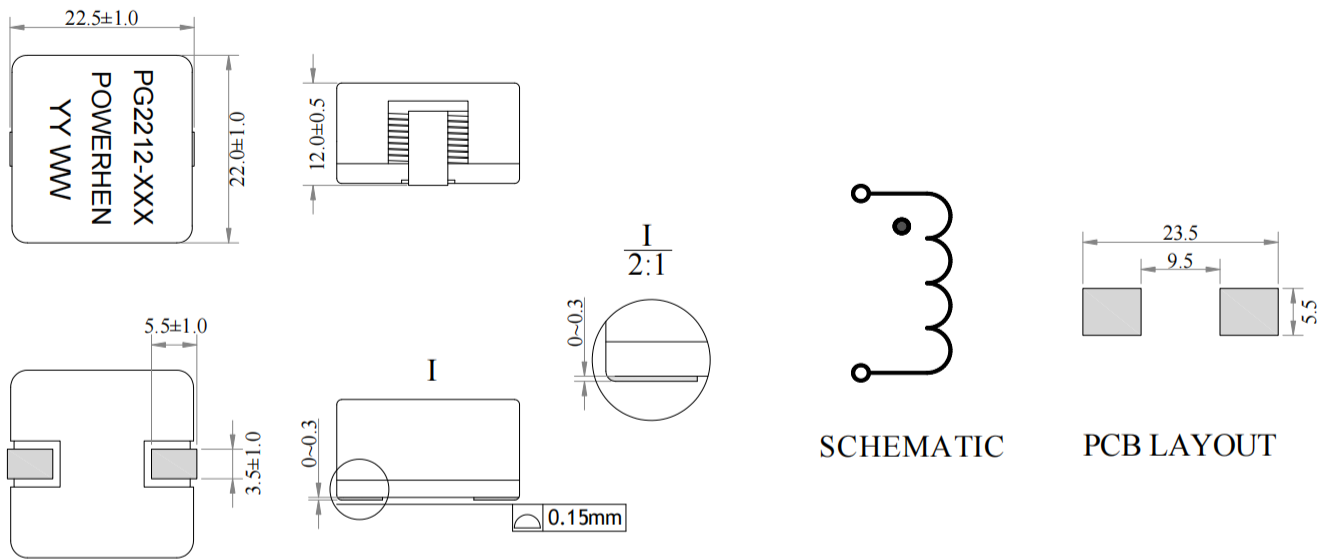
Remark

- ① Inductance is measured with a LCR meter Agilent 4284A or equivalent. Test frequency at 100kHz
- ② DC resistance is measured with Keithley 580 Milliohm Meter, or equivalent. Reference ambient temperature 25°C
- ③ SRF measured using an Agilent 4395A network analyzer and an Agilent 16193A test fixture.
- ④ DC current at 25°C that causes the specified Inductance drop from its value without current.
- ⑤ Current that causes the specified temperature rise from 25°C ambient. This information is for reference only and does not represent absolute maximum ratings.
- ⑥ Electrical specifications at 25°C

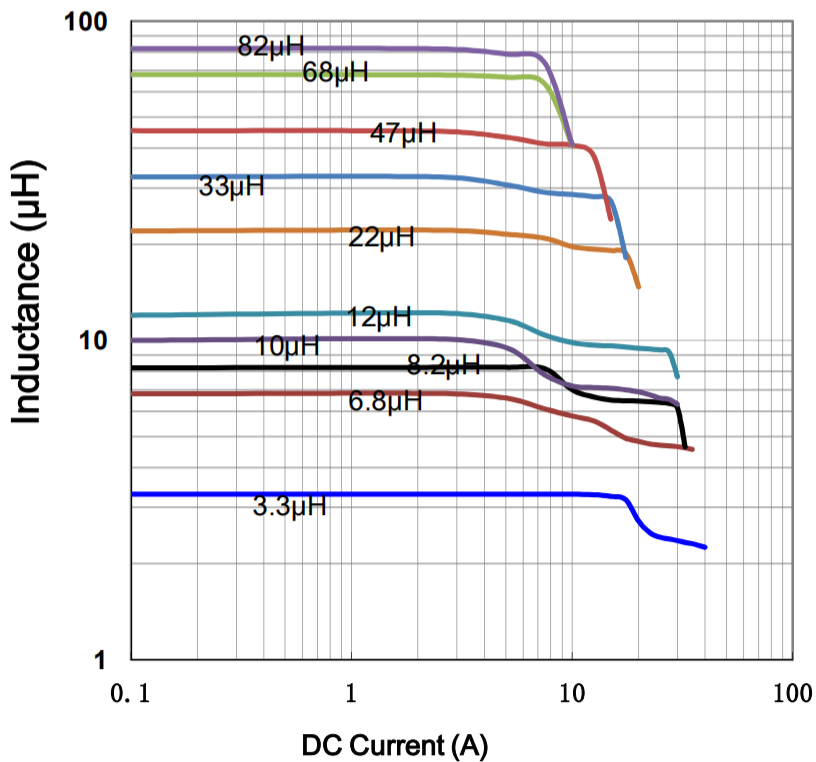
备注

- ① 电感量测试采用 Agilent 4284A 数字电桥或同等仪器; 测试频率 100KHz
- ② 直流电阻测试采用 Keithley 580 毫欧表或同等仪器; 环境温度 25°C
- ③ SRF 使用 Agilent 4395A 网络分析仪和 Agilent 16193A 测试夹具测量。
- ④ 直流电流在 25°C, 加载导致指定电感从没有电流的值下降。
- ⑤ 导致指定温度从 25°C 环境温度上升的电流。此信息仅供参考, 不代表绝对最大额定值。
- ⑥ 25°C 时的电气规格

■ Dimensions 结构尺寸

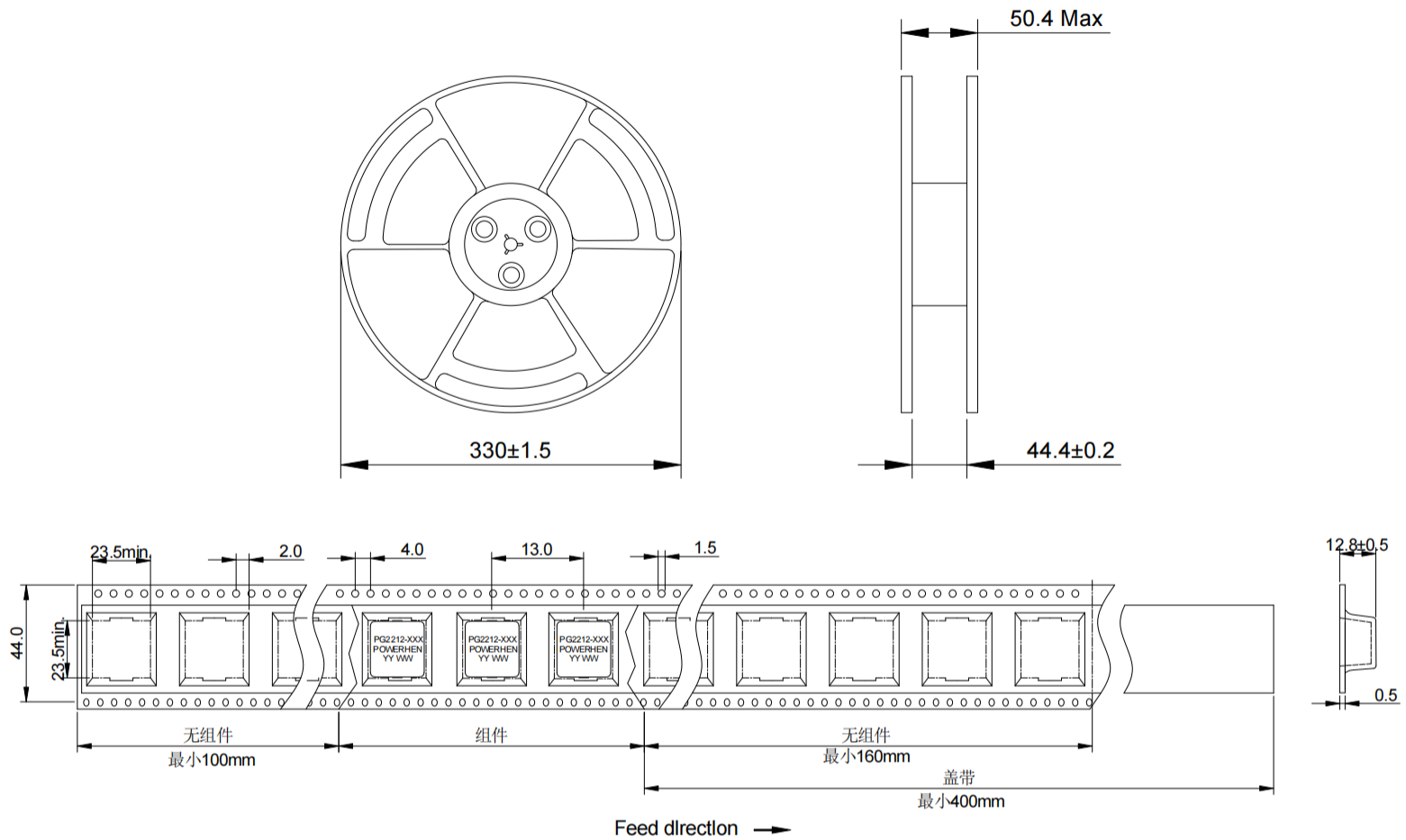


Electrical Characteristic Curve 电气特性曲线



■ Packaging Specification - Tape and Reel: [mm]

包装规格 - 卷带包装: [mm]



Weight 重量: 22.43~27.45g/PCS

Packaging 包装数量: 120 PCS/Reel