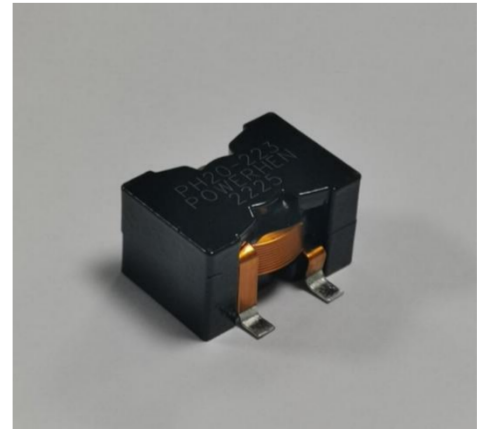


## ■PH20 Series

### Features 特点

- Susing flat wire, and SMD type. 采用扁平线，贴片类型
- Low radiation noise by magnetically shielded construction  
闭合磁路封装，低辐射
- High current, Low resistance. 大电流，低电阻
- Operating temperature : -40°C~+125°C. 工作温度: -40°C~+125°C
- Tape and reel packaging: -40°C to +80°C 卷带包装: -40°C 至 +80°C
- Resistance to soldering heat Max three 40 second reflows at +260°C, parts cooled to room temperature between cycles  
耐焊接热最多三个 40 秒回流 +260°C, 部件在循环之间冷却至室温
- Moisture Sensitivity Level (MSL) 1 (unlimited floor life at <30°C / 85% relative humidity)  
湿气敏感度等级 (MSL) 1 (在 <30°C 时的无限车间寿命/ 85% 相对湿度)



### Applications 应用

- high efficiency DC/DC converters. 高效 DC/DC 转换器
- Single and polyphase buck converters. 单相、多相降压转换器
- Filter for audio applications. 音频滤波应用
- Optimized for high current boost applications. 大电流升压应用优化

### Electrical characteristics 电气特性

Part number	① Inductance μH	② DC resistance mΩ		③ SRF typical MHz	④ Isat A typical			⑤ Irms A typical	
		typ	max.		10% drop	20% drop	30% drop	20°C rise	40°C rise
PH20-701 KL	0.7±10%	0.83	0.92	65	70	72	74	25	32
PH20-142 KL	1.4±10%	1.15	1.27	52	57	59	60	23	31.5
PH20-222 KL	2.2±10%	1.5	1.65	32	49	50	54	22	28
PH20-312 KL	3.1±10%	2.25	2.3	29	42	43	44.5	19	26
PH20-422 KL	4.2±10%	3.04	3.35	24	34	35.5	37.8	17.8	24
PH20-552 KL	5.5±10%	4.0	4.4	21	28	30.6	32	16.8	22
PH20-702 KL	7.0±10%	5.6	6.18	18	26	27.8	29	15.5	21
PH20-862 KL	8.6±10%	7.2	7.91	14	22	23	24.5	12.8	17
PH20-103 KL	10±10%	7.9	8.76	13	21	22.5	22.8	11	16
PH20-153 KL	15±10%	8.7	9.57	12.8	19	20	21	10	14
PH20-223 KL	22±10%	10.6	11.72	12.5	13	13.8	14.2	9	12.5
PH20-333 KL	33±10%	11.4	12.55	12	9	10	10.8	8	12
PH20-473 KL	47±10%	12.2	13.42	10	6.8	7.2	8.4	8	12

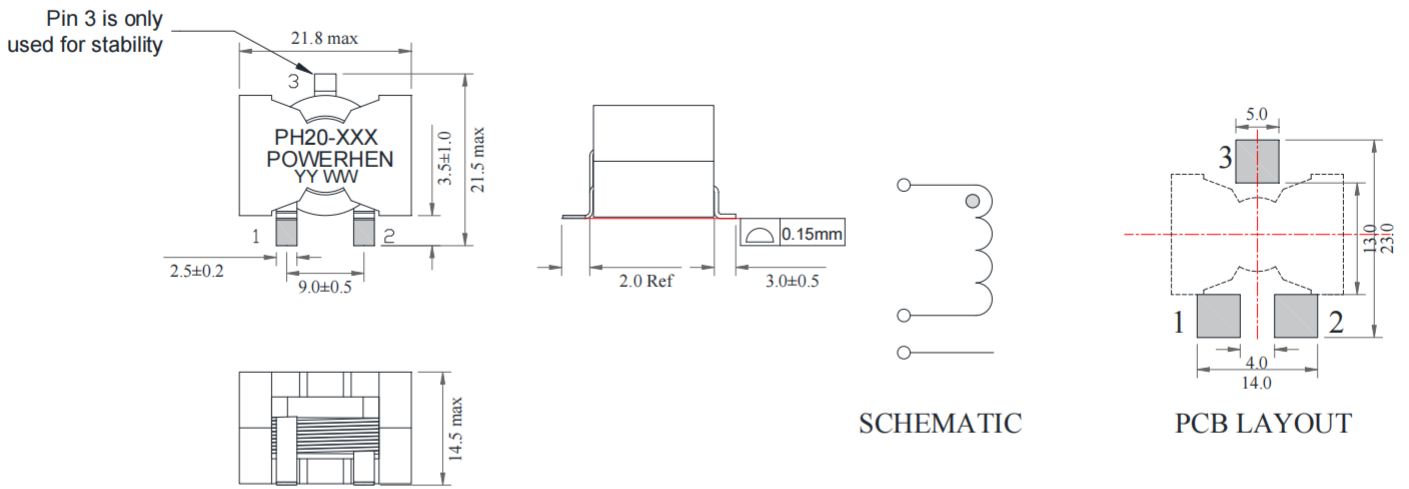
#### Remark

- ① Inductance is measured with a LCR meter Agilent 4284A or equivalent.  
Test frequency at 100kHz
- ② DC resistance is measured with Keithley 580 Milliohm Meter, or equivalent.  
Reference ambient temperature 25°C
- ③ SRF measured using an Agilent 4395A network analyzer and an Agilent 16193A test fixture.
- ④ DC current at 25°C that causes the specified Inductance drop from its value without current.
- ⑤ Current that causes the specified temperature rise from 25°C ambient. This information is for reference only and does not represent absolute maximum ratings.
- ⑥ Electrical specifications at 25°C

#### 备注

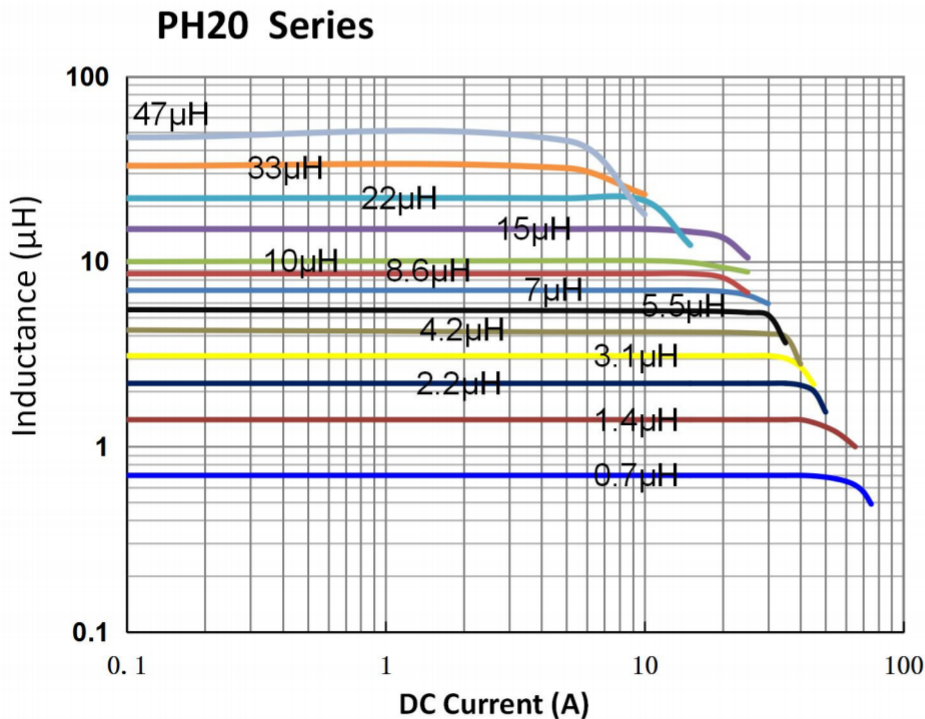
- ① 电感量测试采用 Agilent 4284A 数字电桥或同等仪器；  
测试频率 100KHz
- ② 直流电阻测试采用 Keithley 580 毫欧表或同等仪器；  
环境温度 25°C
- ③ SRF 使用 Agilent 4395A 网络分析仪和 Agilent 16193A 测试夹具测量。
- ④ 直流电流在 25°C，加载导致指定电感从没有电流的值下降。
- ⑤ 导致指定温度从 25°C 环境温度上升的电流。此信息仅供参考，不代表绝对最大额定值。
- ⑥ 25°C 时的电气规格

## Dimensions 结构尺寸



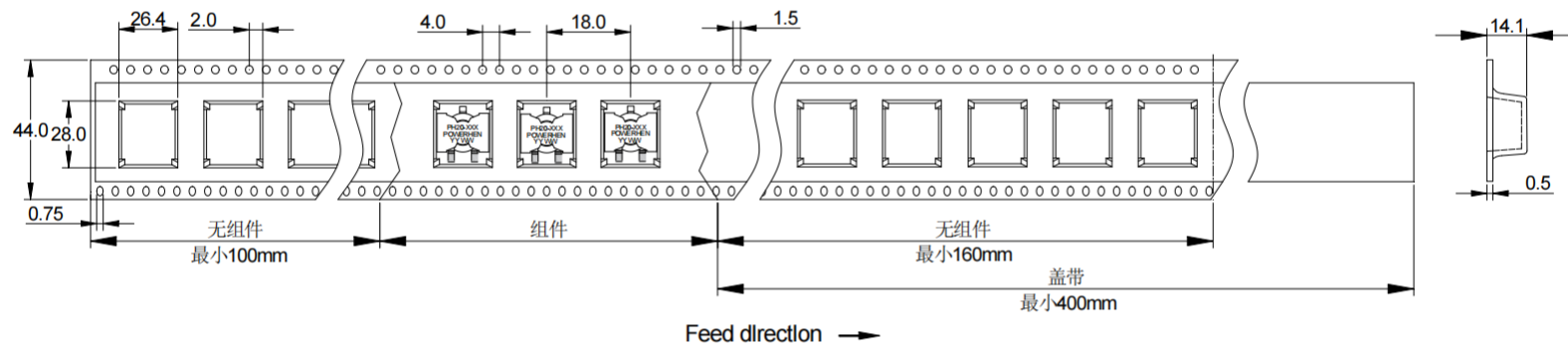
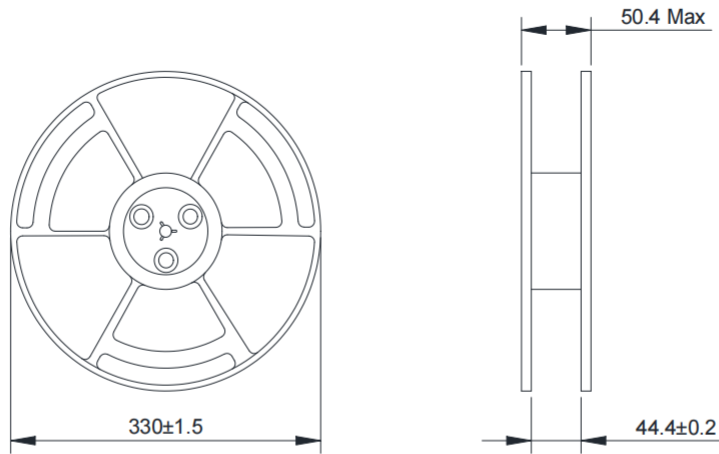
## PH20

### Electrical Characteristic Curve 电气特性曲线



■ Packaging Specification - Tape and Reel: [mm]

包装规格 - 卷带包装: [mm]



Weight 重量: 14.24~15.72g/PCS  
 Packaging 包装数量: 100 PCS/Reel