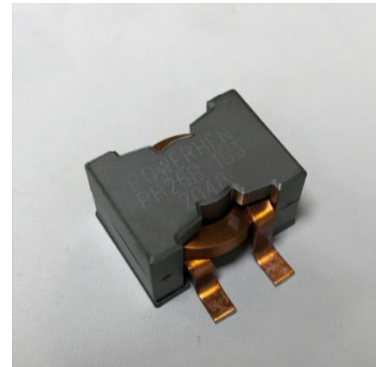


■PH26B Series

Features 特点

- Susing flat wire, and SMD type. 采用扁平线，贴片类型
- Low radiation noise by magnetically shielded construction 闭合磁路封装，低辐射
- High current, Low resistance. 大电流，低电阻
- Operating temperature : -40°C~+125°C. 工作温度：-40°C~+125°C
- Tray packaging: -40°C to +80°C 托盘包装：-40°C 至 +80°C
- Resistance to soldering heat Max three 40 second reflows at +260°C, parts cooled to room temperature between cycles 耐焊接热 最多三个 40 秒回流 +260°C，部件在循环之间冷却至室温
- Moisture Sensitivity Level (MSL) 1 (unlimited floor life at <30°C / 85% relative humidity) 湿气敏感度等级 (MSL) 1 (在 <30°C 时的无限车间寿命/ 85% 相对湿度)



Applications 应用

- high efficiency DC/DC converters. 高效 DC/DC 转换器
- Single and polyphase buck converters. 单相、多相降压转换器
- Filter for audio applications. 音频滤波应用
- Optimized for high current boost applications. 大电流升压应用优化

Electrical characteristics 电气特性

Part number	① Inductance μH ±10%	② DCR 直流电阻 mΩ		③ SRF MHz 自谐振频率		④ Isat 饱和电流 A typical			⑤ Irms 温升电流 A typical	
		typ	max.	typical	10% drop	20% drop	30% drop	20°C rise	40°C rise	
PH26B-222KL	2.2	1.6	1.86	40	100	>100	>100	22	32	
PH26B-332KL	3.3	1.6	1.86	30	62.0	66.9	68.4	22	32	
PH26B-472KL	4.7	1.6	1.86	25	42.0	48.0	50.1	22	32	
PH26B-682KL	6.8	1.6	1.86	20	30.0	34.5	36.2	22	32	
PH26B-103KL	10	1.6	1.86	15	18.0	21.5	23.4	22	32	
PH26B-153KL	15	1.6	1.86	12	11.5	14.0	15.2	22	32	
PH26B-223KL	22	1.6	1.86	10	7.0	8.6	9.6	22	32	
PH26B-333KL	33	1.6	1.86	8	4.0	5.1	5.9	22	32	

Remark

- ① Inductance is measured with a LCR meter Agilent 4284A or equivalent. Test frequency at 500kHz
- ② DC resistance is measured with Keithley 580 Milliohm Meter, or equivalent. Reference ambient temperature 25°C
- ③ SRF measured using an Agilent 4395A network analyzer and an Agilent 16193A test fixture.
- ④ DC current at 25°C that causes the specified Inductance drop from its value without current.
- ⑤ Current that causes the specified temperature rise from 25°C ambient. This information is for reference only and does not represent absolute maximum ratings.
- ⑥ Electrical specifications at 25°C

备注

- ① 电感量测试采用 Agilent 4284A 数字电桥或同等仪器；测试频率 500KHz
- ② 直流电阻测试采用 Keithley 580 毫欧表或同等仪器；环境温度 25°C
- ③ SRF 使用 Agilent 4395A 网络分析仪和 Agilent 16193A 测试夹具测量。
- ④ 直流电流在 25°C，加载导致指定电感从没有电流的值下降。
- ⑤ 导致指定温度从 25°C 环境温度上升的电流。此信息仅供参考，不代表绝对最大额定值。
- ⑥ 25°C 时的电气规格

ShenZhen Powerhen Electronic Co.,Ltd

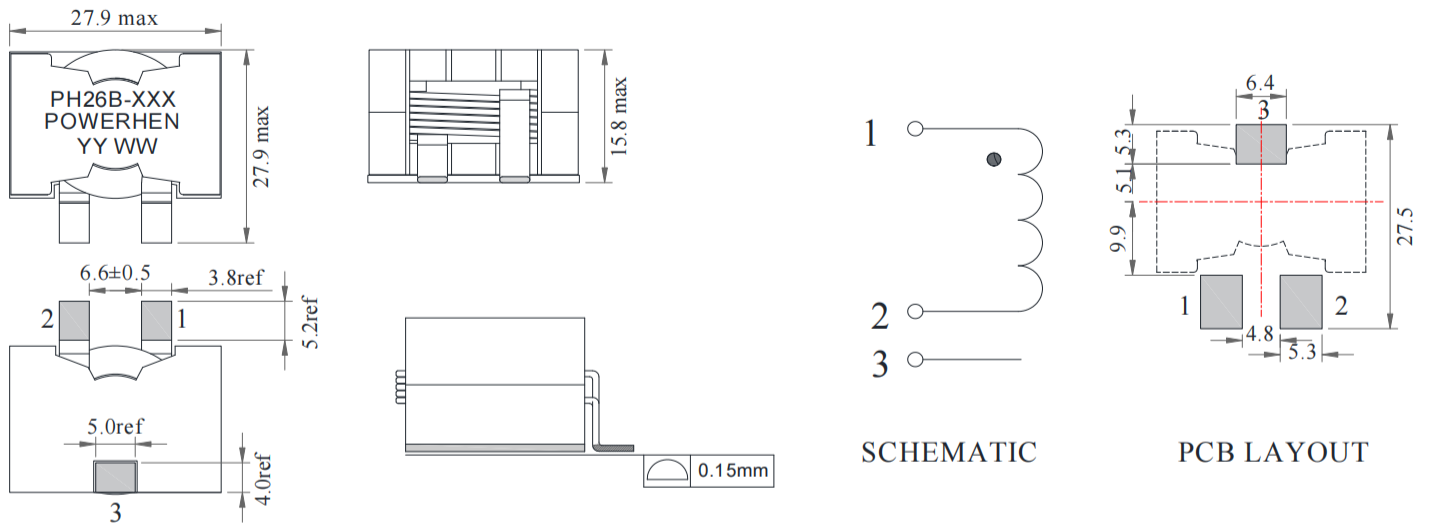
Addr: Floor 3, Building 2, Shenliang Automotive Electronic Industrial Park, Guanlan Town, Shenzhen

Tel: 0755-23570708

E-Mail: sales@powerhen.com

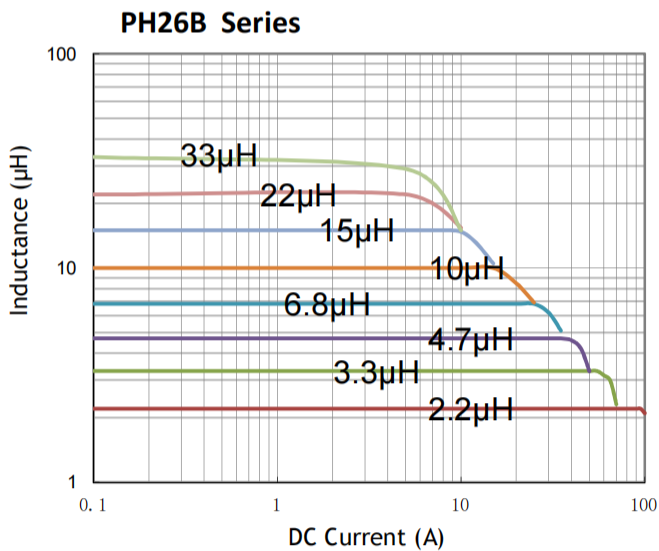
2022-7

■ Dimensions 结构尺寸



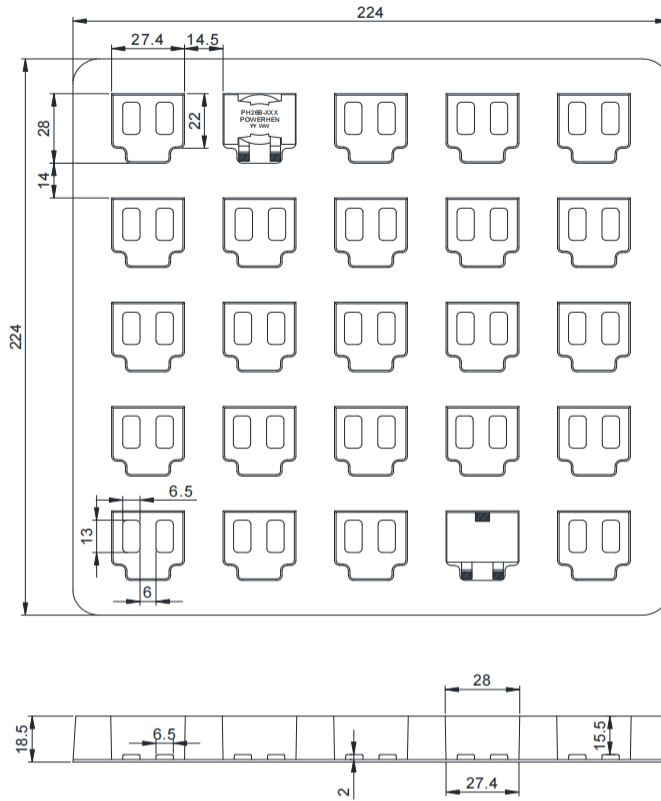
■ PH26B

Electrical Characteristic Curve 电气特性曲线



■ Packaging Specification - tray: [mm]

包装规格 - 托盘包装: [mm]



Weight 重量: 31.07g/PCS
 Packaging 包装数量: 25 PCS/盘