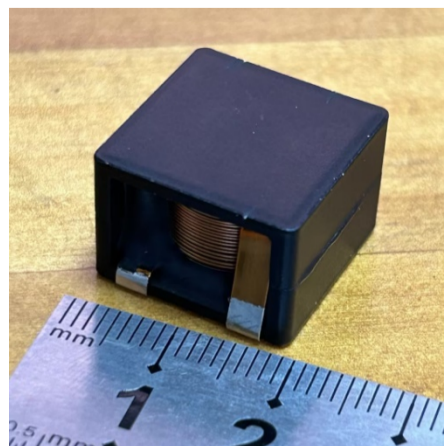


Features 特点

- Core material: Powdered iron.  
芯材: 铁粉
- Flat wire Coupled inductor  
扁平线耦合电感器
- Low inductance drift over temperature  
电感随温度变化的低波动
- Coupled inductor with two identical windings More variants due to parallel and series connection possible  
两个相同绕组的耦合电感器通过并联和串联连接,可提供更多变体
- Operating temperature : -40°C~+125°C.  
工作温度: -40°C~+125°C



Applications 应用

- High power switching regulators 大功率开关稳压器
- 1:1 flyback converter 1: 1 反激式转换器
- Buck, Boost, Semic and Cuk Converter Buck, Boost, Semic 和 Cuk 转换器
- Switching regulators with second unregulated output voltage 具有第二个非稳压输出电压的开关稳压器
- Battery Cell Charging Balancer 电池充电平衡器

Electrical characteristics 电气特性

Part number 料号	Inductance① 电感量 μH ±20%	DCR② 直流电阻 mΩ		SRF③ 自谐频率 MHz	Isat (A)④ 饱和电流 Drop 30%	Irms(A)⑤ 温升电流 Rise 40°C	Turns Ratio 匝比
		max.	typ.				
PMS1813-682ML	6.8	6.8	6.1	28	26	13.5	1:1
PMS1813-822ML	8.2	9.3	8.4	23	24	13	1:1
PMS1813-103ML	10	12	11	12	22	11	1:1

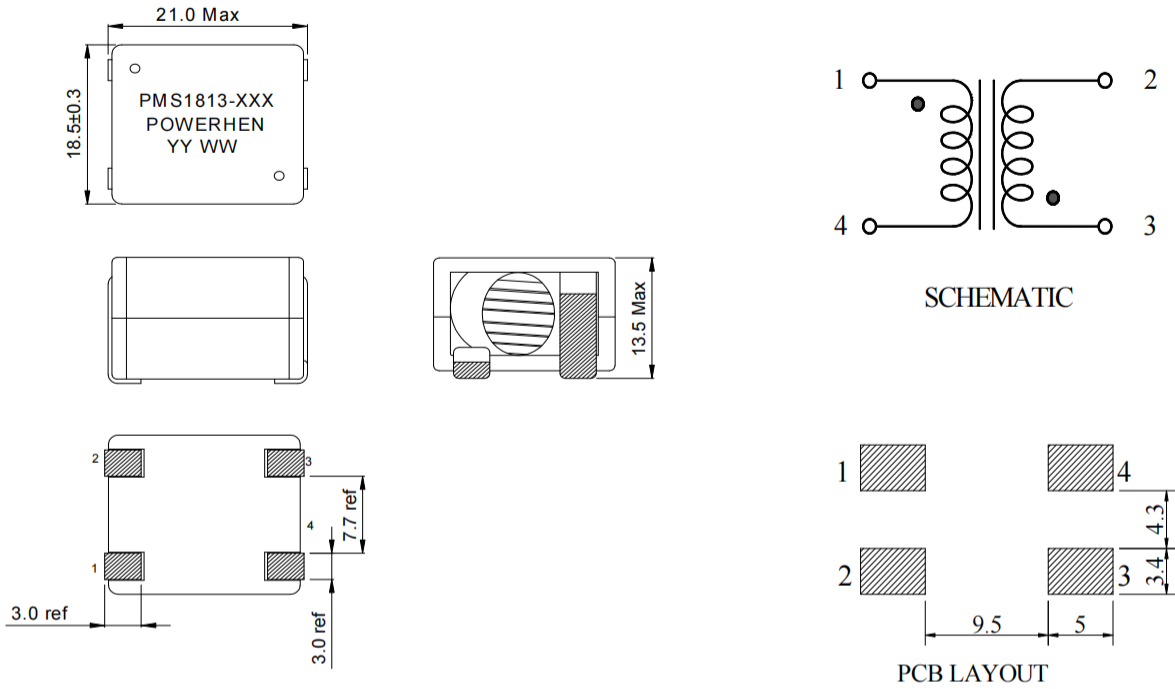
Remark

- ① Inductance is measured with a LCR meter Agilent 4284A or equivalent.  
Test frequency at 100kHz
- ② DC resistance is measured with Keithley 580 Milliohm Meter, or equivalent. Reference ambient temperature 25°C
- ③ SRF measured using an Agilent 4395A network analyzer and an Agilent 16193A test fixture.
- ④ DC current at 25°C that causes the specified, inductance drop from its value without current.
- ⑤ Current that causes the specified temperature rise from 25°C ambient. This information is for reference only and does not represent absolute maximum ratings.
- ⑥ Electrical specifications at 25°C

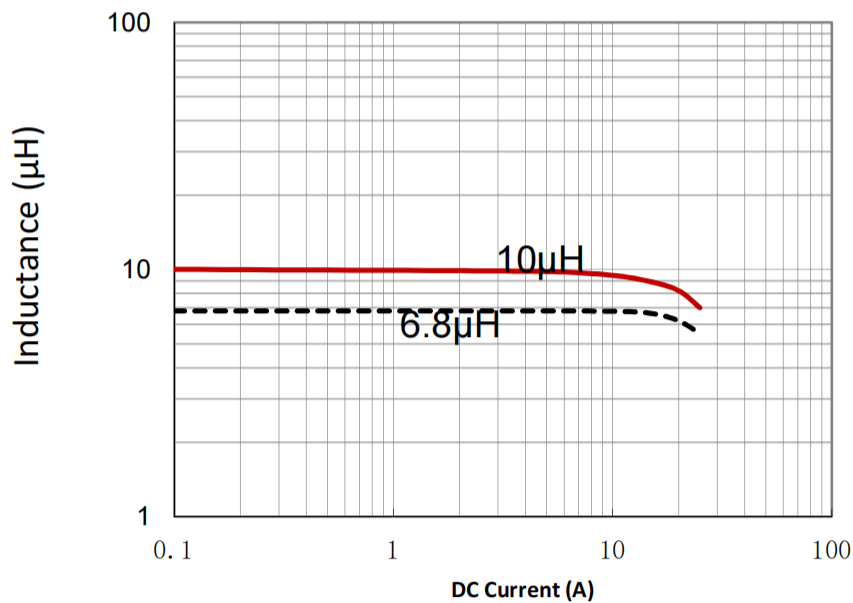
备注

- ① 电感量测试采用 Agilent 4284A 数字电桥或同等仪器; 测试频率 100KHz
- ② 直流电阻测试采用 Keithley 580 毫欧表或同等仪器; 环境温度 25° C
- ③ SRF 使用 Agilent 4395A 网络分析仪和 Agilent 16193A 测试夹具测量。
- ④ 直流电流在 25° C, 加载导致指定电感从没有电流的值下降。
- ⑤ 导致指定温度从 25° C 环境温度上升的电流。此信息仅供参考, 不代表绝对最大额定值。
- ⑥ 25° C 时的电气规格

## Dimensions 结构尺寸

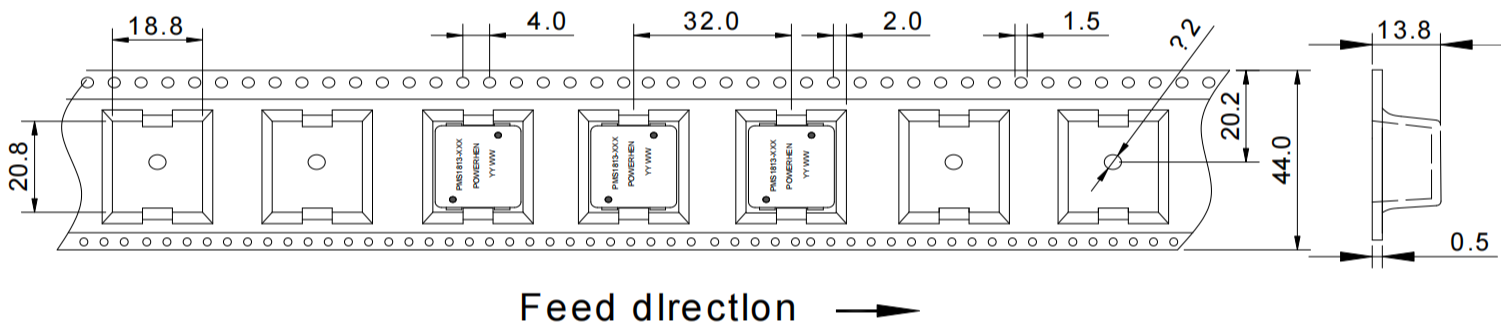
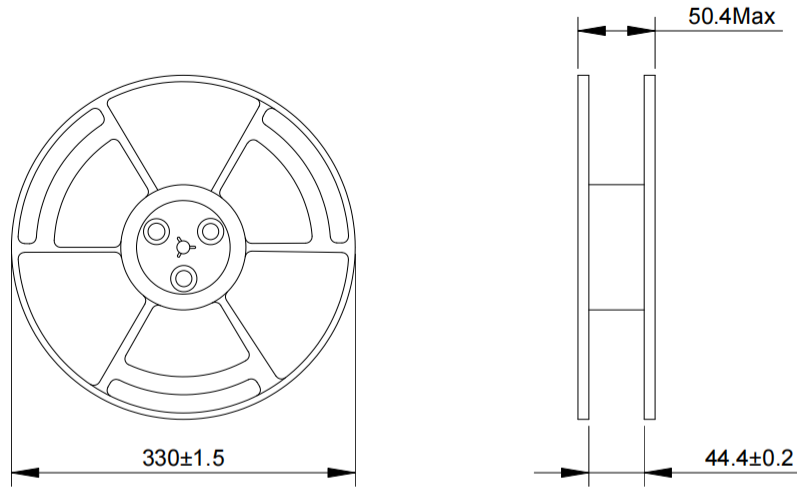


## Electrical Characteristic Curve 电气特性曲线



■Packaging Specification - Tape and Reel: [mm]

包装规格 - 卷带包装: [mm]



Weight 重量: 17.22~17.9 g/PCS

Packaging 包装数量: 150 PCS/Reel