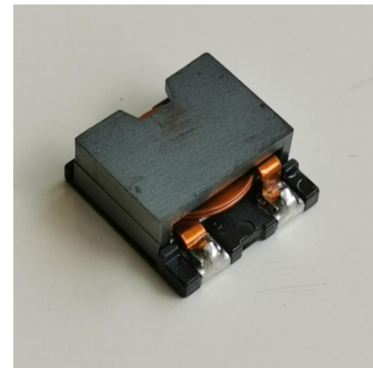


## PR136 Series

### Features 特点

- Susing flat wire, and SMD type. 采用扁平线，贴片类型
- Low radiation noise by magnetically shielded construction 闭合磁路封装，低辐射
- High current, Low resistance. 大电流，低电阻
- Operating temperature : -40°C ~+125°C. 工作温度：-40°C ~+125°C
- Tape and reel packaging: -40°C to +80°C 卷带包装：-40°C 至 +80°C
- Resistance to soldering heat Max three 40 second reflows at +260°C, parts cooled to room temperature between cycles  
耐焊接热 最多三个 40 秒回流 +260°C，部件在循环之间冷却至室温
- Moisture Sensitivity Level (MSL) 1 (unlimited floor life at <30°C / 85% relative humidity)

湿气敏感度等级 (MSL) 1 (在 <30°C 时的无限车间寿命 / 85% 相对湿度)



### Applications 应用

- high efficiency DC/DC converters. 高效 DC/DC 转换器
- Single and polyphase buck converters. 单相、多相降压转换器
- Filter for audio applications. 音频滤波应用
- Optimized for high current boost applications. 大电流升压应用优化

### Electrical characteristics

Part number	Inductance <sup>①</sup> μH ±10%	DCR (mΩ) <sup>②</sup>		SRF <sup>③</sup> MHz 自谐频率		Isat(A) <sup>④</sup> 饱和电流 A typ				I <sub>rms</sub> (A) <sup>⑤</sup> 温升电流 A typ.	
		typ	max	typical	10% drop	20% drop	30% drop	20°C rise	40°C rise		
PR136-331KL	0.33	0.77	0.85	200	36	41	43	13	16.9		
PR136-651KL	0.65	0.77	0.85	160	23	27	28	13	16.9		
PR136-102KL	1.0	2.36	2.6	75	32	33	33.5	9.5	13		
PR136-182KL	1.8	2.36	2.6	50	17	19	20	9.5	13		
PR136-272KL	2.7	2.36	2.6	42	12	13	14	9.5	13		
PR136-402KL	4.0	5.5	6.05	34	11	12	13	7.1	9.4		
PR136-472KL	4.7	5.5	6.05	32	9.5	11	12	7.1	9.4		
PR136-602KL	6.0	5.5	6.05	28	8.0	9	9.5	7.1	9.4		
PR136-802KL	8.0	9.8	10.8	26	7.5	8.5	9	5.4	7.6		
PR136-103KL	10	9.8	10.8	24	6.2	7	7.5	4.4	7.2		

### Remark

- ① Inductance is measured with a LCR meter Agilent 4284A or equivalent.  
Test frequency at 100kHz
- ② DC resistance is measured with Keithley 580 Milliohm Meter, or equivalent.  
Reference ambient temperature 25°C
- ③ SRF measured using an Agilent 4395A network analyzer and an Agilent 16193A test fixture.
- ④ DC current at 25°C that causes the specified inductance drop from its value without current.
- ⑤ Current that causes the specified temperature rise from 25°C ambient. This information is for reference only and does not represent absolute maximum ratings.
- ⑥ Electrical specifications at 25°C

### 备注

- ① 电感量测试采用 Agilent 4284A 数字电桥或同等仪器；  
测试频率 100kHz
- ② 直流电阻测试采用 Keithley 580 毫欧表或同等仪器；  
环境温度 25°C
- ③ SRF 使用 Agilent 4395A 网络分析仪和 Agilent 16193A 测试夹具测量。
- ④ 直流电流在 25°C，加载导致指定电感从没有电流的值下降。
- ⑤ 导致指定温度从 25°C 环境温度上升的电流。此信息仅供参考，不代表绝对最大额定值。
- ⑥ 25°C 时的电气规格

ShenZhen Powerhen Electronics Co.,Ltd

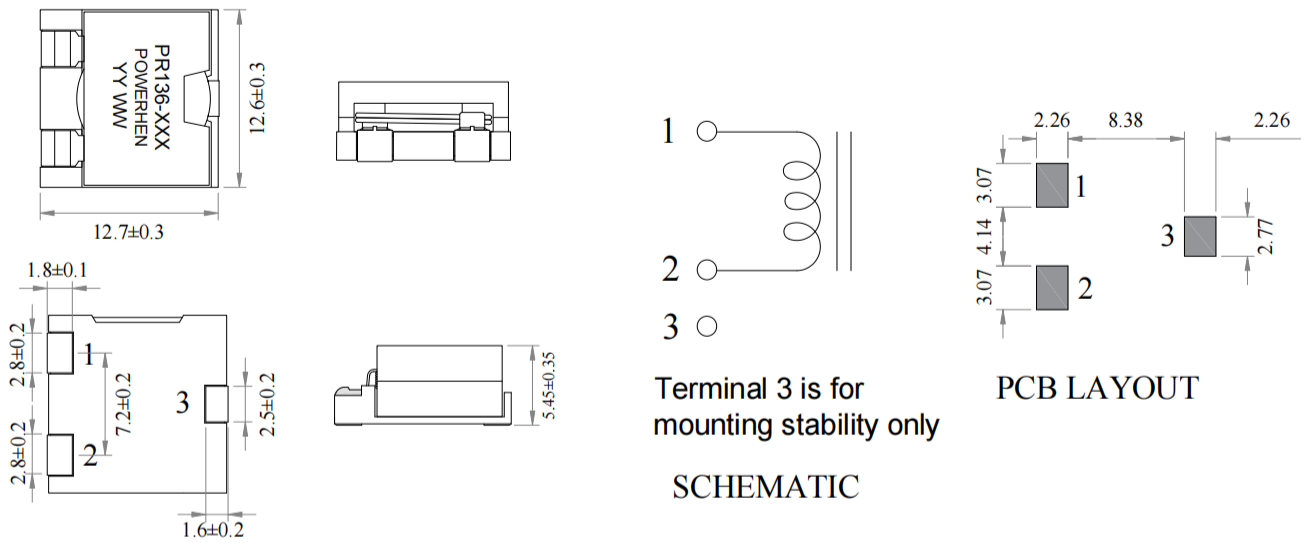
Addr: Floor 3, Building 2, Shenliang Automotive Electronic Industrial Park, Guanlan Town, Shenzhen

Tel: 0755-23570708

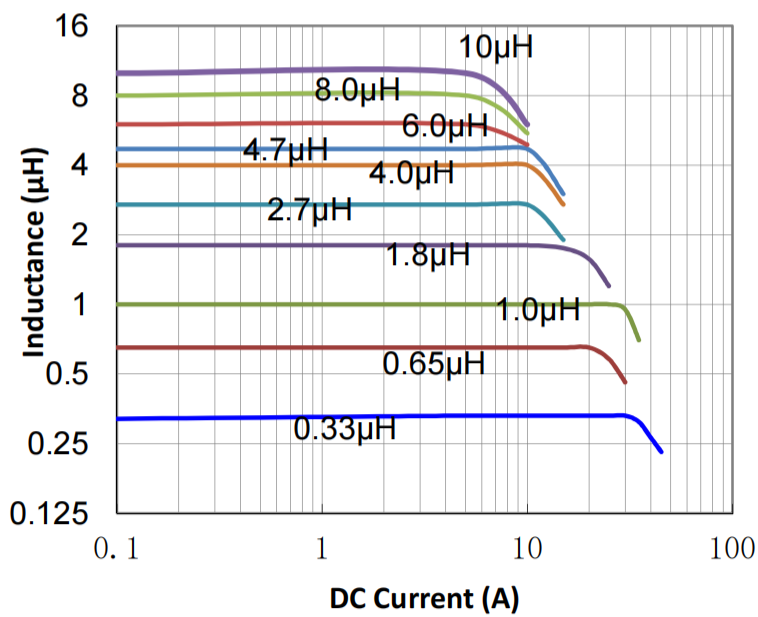
E-Mail: sales@powerhen.com

Date: 2022-09

Dimension 结构尺寸

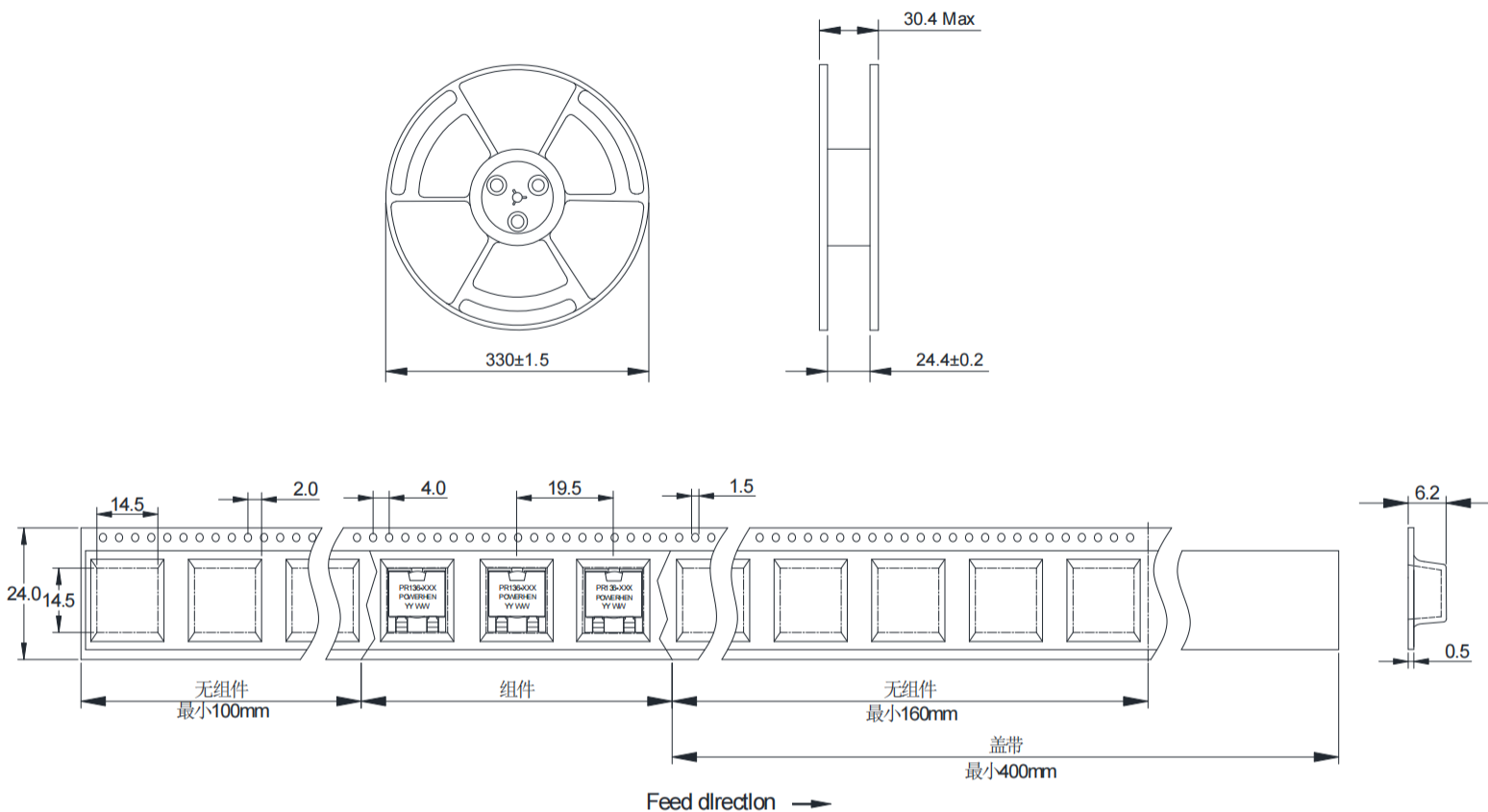


Electrical Characteristic Curve 电气特性曲线



■ Packaging Specification - Tape and Reel: [mm]

包装规格 - 卷带包装: [mm]



Weight 重量: 2.66~2.81g/PCS

Packaging 包装数量: 500 PCS/Reel