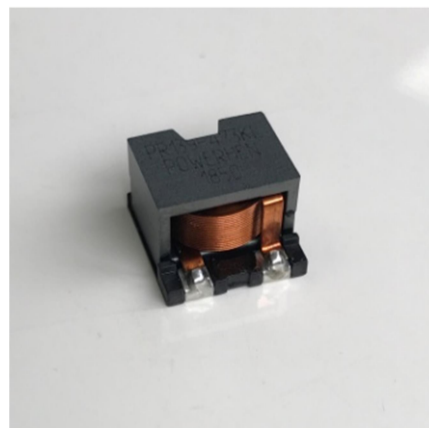


## ■PR139 Series

## Features 特点

- Susing flat wire, and SMD type. 采用扁平线，贴片类型
- Low radiation noise by magnetically shielded construction  
闭合磁路封装，低辐射
- High current, Low resistance. 大电流，低电阻
- Operating temperature : -40°C~+125°C. 工作温度：-40°C~+125°C
- Tape and reel packaging: -40°C to +80°C 卷带包装：-40°C 至 +80°C
- Resistance to soldering heat Max three 40 second reflows at +260°C,  
parts cooled to room temperature between cycles  
耐焊接热 最多三个 40 秒回流 +260°C，部件在循环之间冷却至室温
- Moisture Sensitivity Level (MSL) 1 (unlimited floor life at <30°C /  
85% relative humidity)  
湿气敏感度等级 (MSL) 1 (在 <30°C 时的无限车间寿命/85% 相对湿度)



## Applications 应用

- High efficiency DC/DC converters. 高效 DC/DC 转换器
- Single and polyphase buck converters. 单相、多相降压转换器
- Filter for audio applications. 音频滤波应用
- Optimized for high current boost applications. 大电流升压应用优化

## Electrical characteristics 电气特性

Part number	Inductance① μH ±10%	DCR (mΩ)② typ max		SRF ③ MHz 自谐频率				Isat ④ 饱和电流 A (typical)				Irms 温升电流 A (typical)	
				typ	10% drop	20% drop	30% drop	20°C rise	40°C rise				
										typ	10% drop	20% drop	30% drop
PR139-103KL	10	13.7	15	26.9	12.8	13.2	14	6.4	9.2				
PR139-153KL	15	13.7	15	24.3	8	8.8	9.2	6.4	9.2				
PR139-223KL	22	21	23.1	20.3	6.4	7.2	8	5.7	7.7				
PR139-333KL	33	21	23.1	15.7	4.2	4.8	5.4	5.7	7.7				
PR139-473KL	47	21	23.1	13.2	3	3.4	3.6	5.7	7.7				

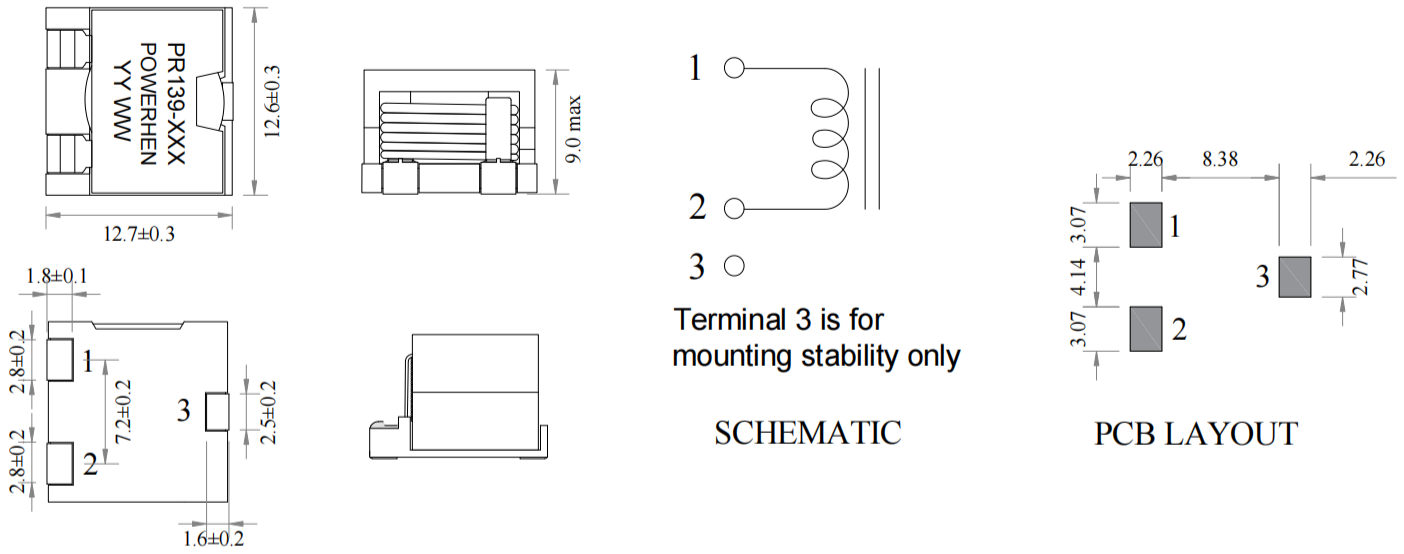
## Remark

- ① Inductance is measured with a LCR meter Agilent 4284A or equivalent.  
Test frequency at 100kHz
- ② DC resistance is measured with Keithley 580 Milliohm Meter, or equivalent.  
Reference ambient temperature 25°C
- ③ SRF measured using an Agilent 4395A network analyzer and an Agilent 16193A test fixture.
- ④ DC current at 25°C that causes the specified inductance drop from its value without current.
- ⑤ Current that causes the specified temperature rise from 25°C ambient. This information is for reference only and does not represent absolute maximum ratings.
- ⑥ Electrical specifications at 25°C

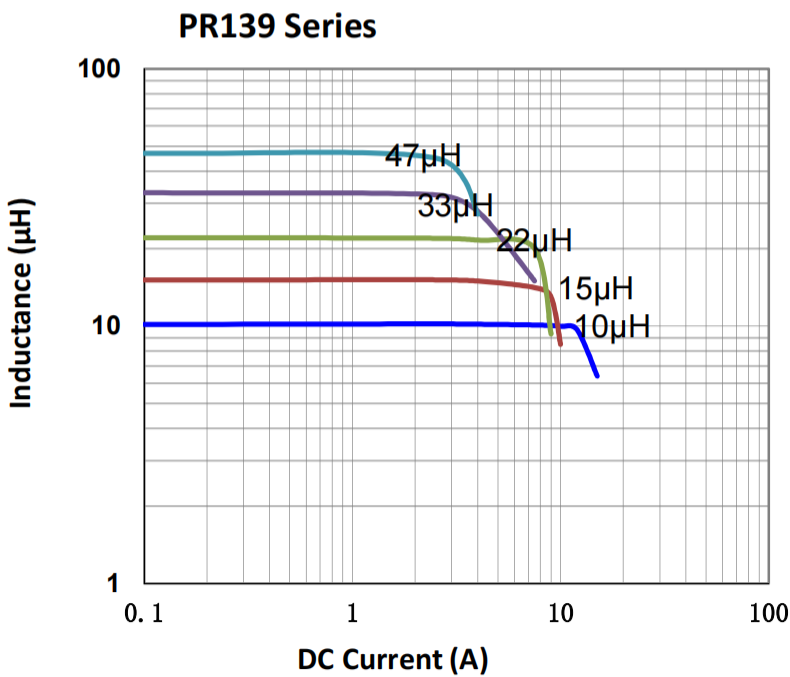
## 备注

- ① 电感量测试采用 Agilent 4284A 数字电桥或同等仪器；  
测试频率 100KHz
- ② 直流电阻测试采用 Keithley 580 毫欧表或同等仪器；  
环境温度 25°C
- ③ SRF 使用 Agilent 4395A 网络分析仪和 Agilent 16193A 测试夹具测量。
- ④ 直流电流在 25°C，加载导致指定电感从没有电流的值下降。
- ⑤ 导致指定温度从 25°C 环境温度上升的电流。此信息仅供参考，不代表绝对最大额定值。
- ⑥ 25°C 时的电气规格

Dimension 结构尺寸

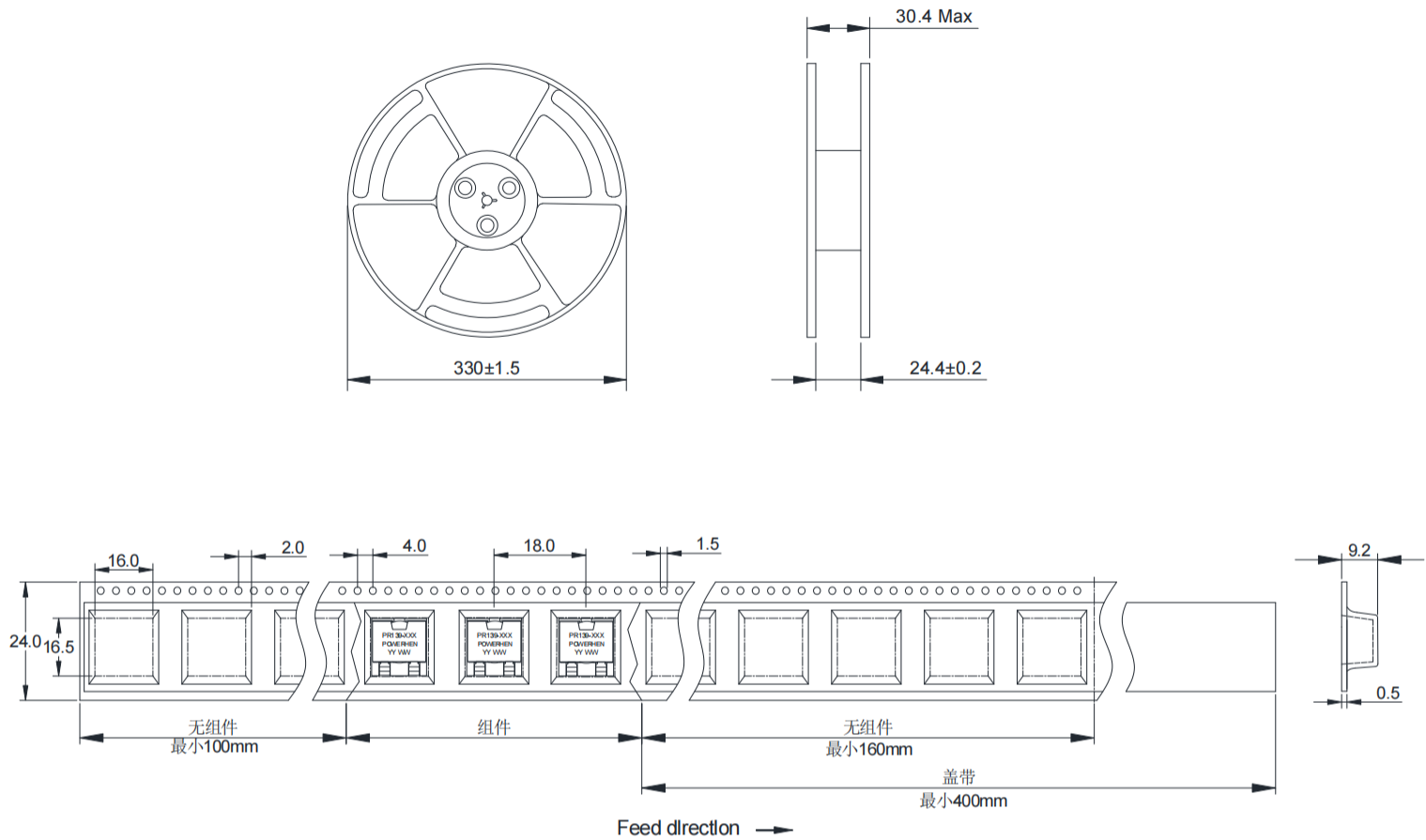


Electrical Characteristic Curve 电气特性曲线



■ Packaging Specification - Tape and Reel: [mm]

包装规格 - 卷带包装: [mm]



Weight 重量: 4.0~4.38g/PCS

Packaging 包装数量: 300 PCS/Reel